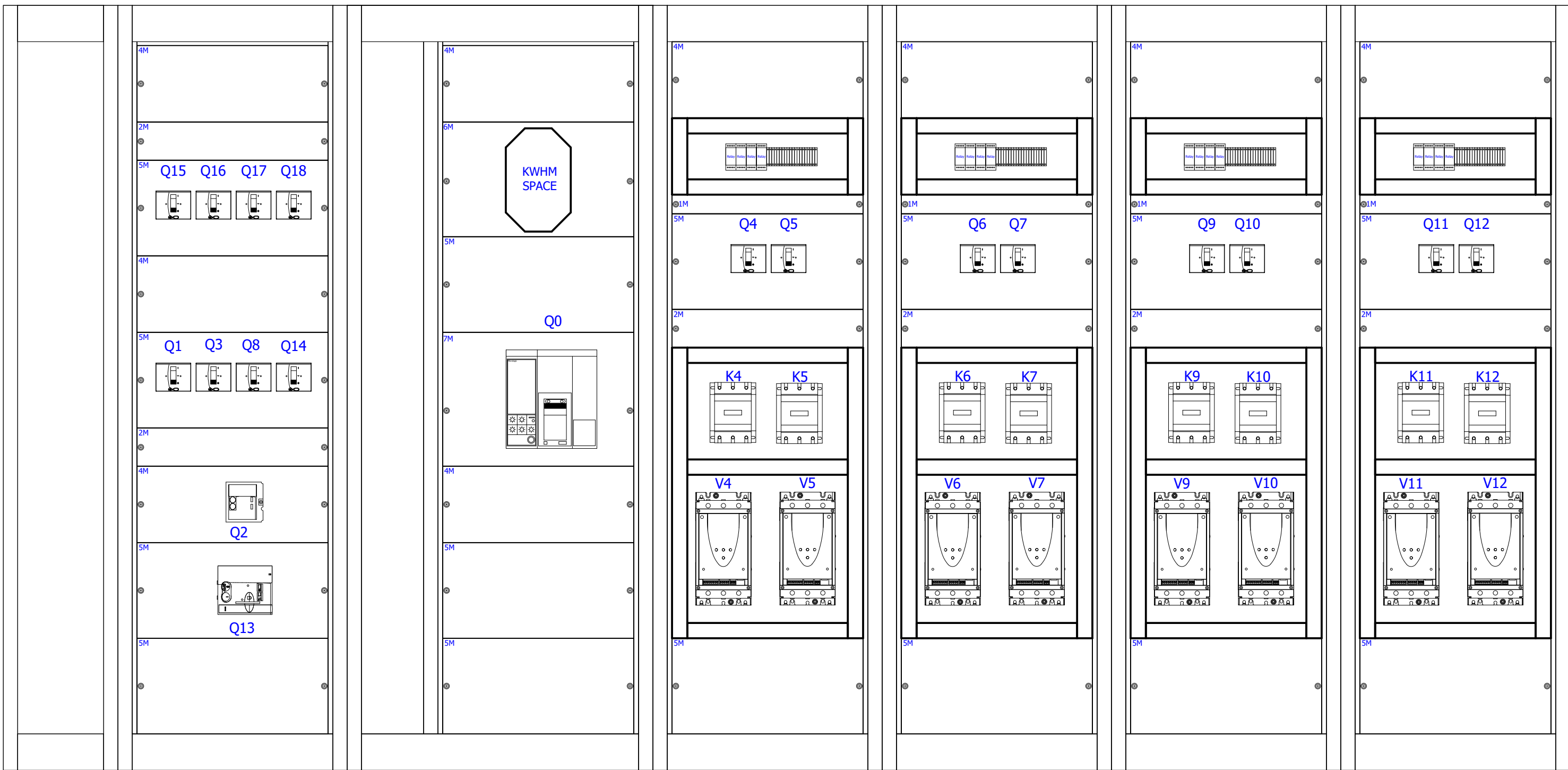


FRONT VIEW WITHOUT MIRRORS

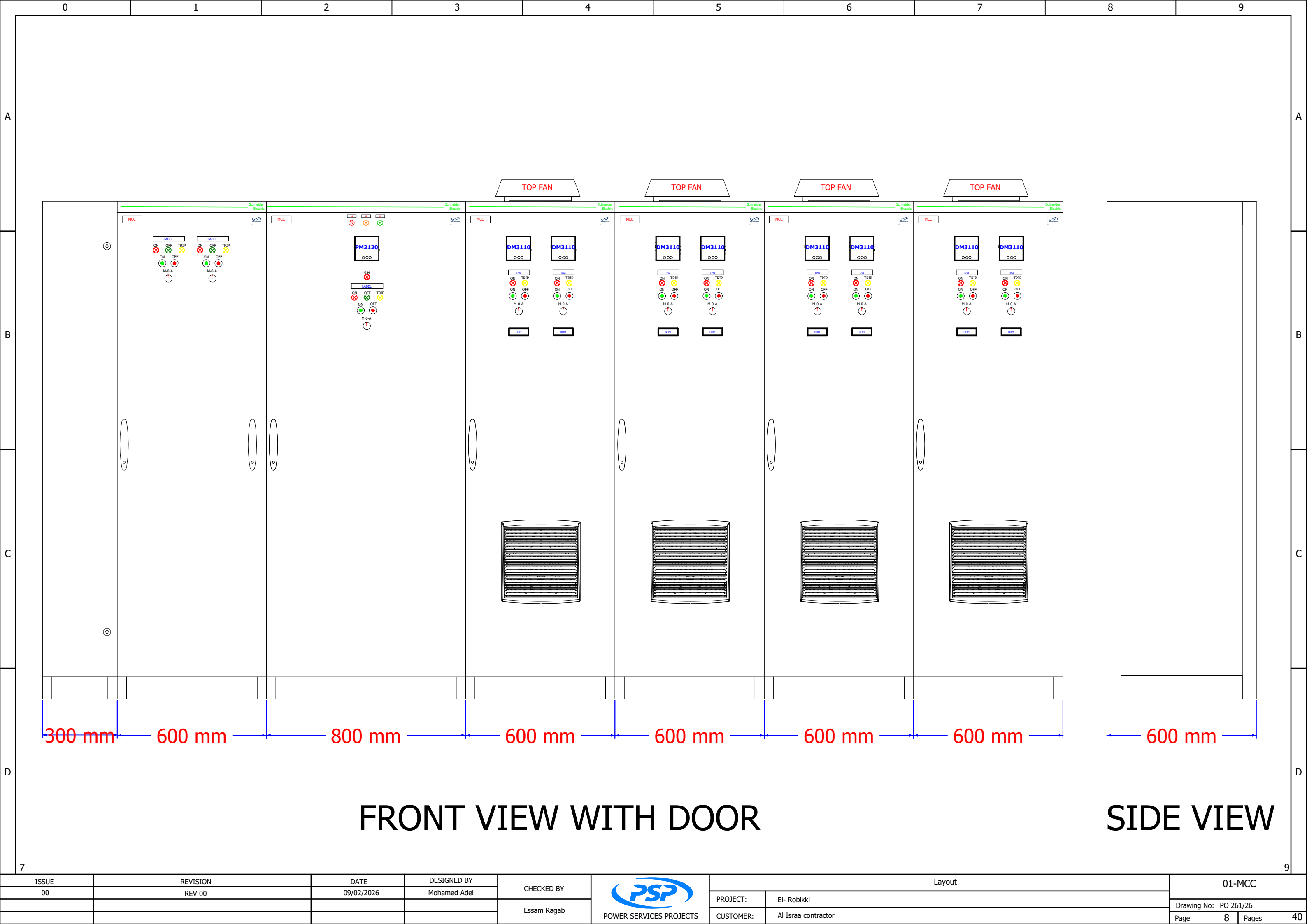
ISSUE 00	REVISION REV 00	DATE 09/02/2026	DESIGNED BY Mohamed Adel	CHECKED BY Essam Ragab		PROJECT: El- Robikki	Layout	01-MCC
						CUSTOMER: Al Israa contractor		Drawing No: PO 261/26



FRONT VIEW WITH MIRRORS

5.a

ISSUE 00	REVISION REV 00	DATE 09/02/2026	DESIGNED BY Mohamed Adel	CHECKED BY Essam Ragab		Layout	01-MCC
						PROJECT: El- Robikki CUSTOMER: Al Israa contractor	Drawing No: PO 261/26 Page 6 Pages 40



FRONT VIEW WITH DOOR

SIDE VIEW

ISSUE	REVISION	DATE	DESIGNED BY	CHECKED BY	 POWER SERVICES PROJECTS	Layout		01-MCC		
00	REV 00	09/02/2026	Mohamed Adel			Essam Ragab	PROJECT:	El- Robikki	Drawing No:	PO 261/26
					CUSTOMER:	Al Israa contractor	Page	8	Pages	40

General Characteristics

Power and Voltage Data

Rated Voltage	380/220VAC
Control Voltage	230 VAC
Insulation Level	1000V
Frequency	50 Hz
Short Circuit Current Capacity	25KA
Ambient Temp.	40° C

Special Data

Installation	Floor Standing
Location	Indoor
SW.Board Access	Front
SW.Board Access Cables	Front
Cables Entry Direction Incoming	BOTTOM
Cables Entry Direction Outgoing	BOTTOM

Panel Data

Type	PRISMA
Enclosure Material	Sheet Steel
Paint	Epoxy Resin Powder Electrostatic
Degree of Protection	IP54
Enclosure Colour	RAL 9003
Functional Unit Colour	RAL 9003

Busbar

Busbar Rating	1000A
Busbar System	As Type Tested Tables
Neutral System	TNS
Neutral Busbar Size	=1/2 C.S Area of Main Bus Bar
Earth Busbar Size	=1/2 C.S Area of Main Bus Bar
Form	-

ISSUE	REVISION	DATE	DESIGNED BY	CHECKED BY
00	REV 00	09/02/2026	Mohamed Adel	Essam Ragab



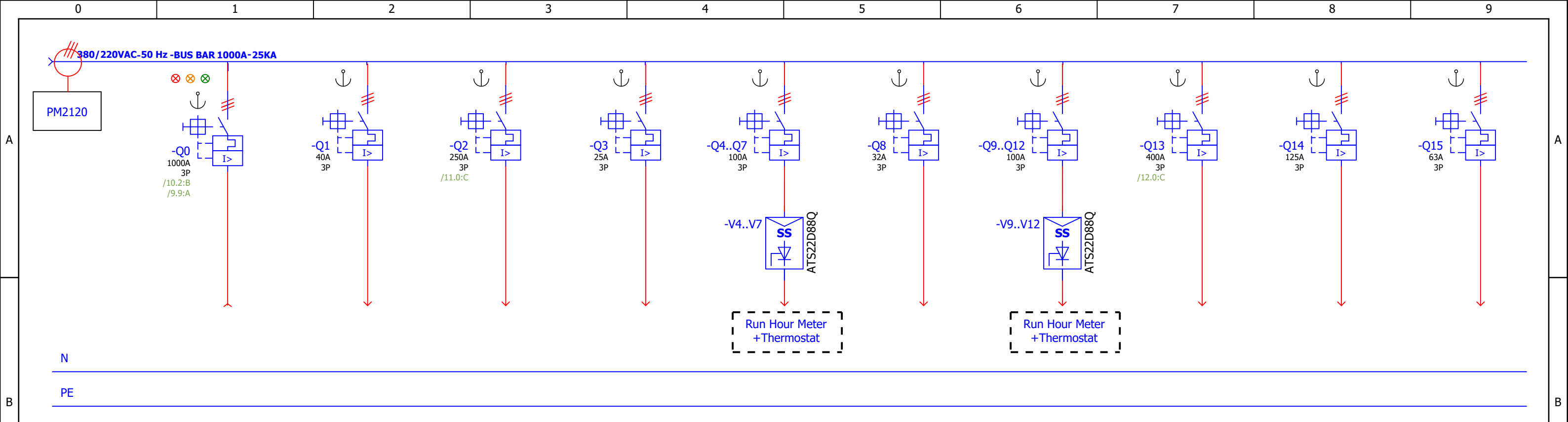
PROJECT:		EI- Robikki
CUSTOMER:		Al Israa contractor

General Characteristics

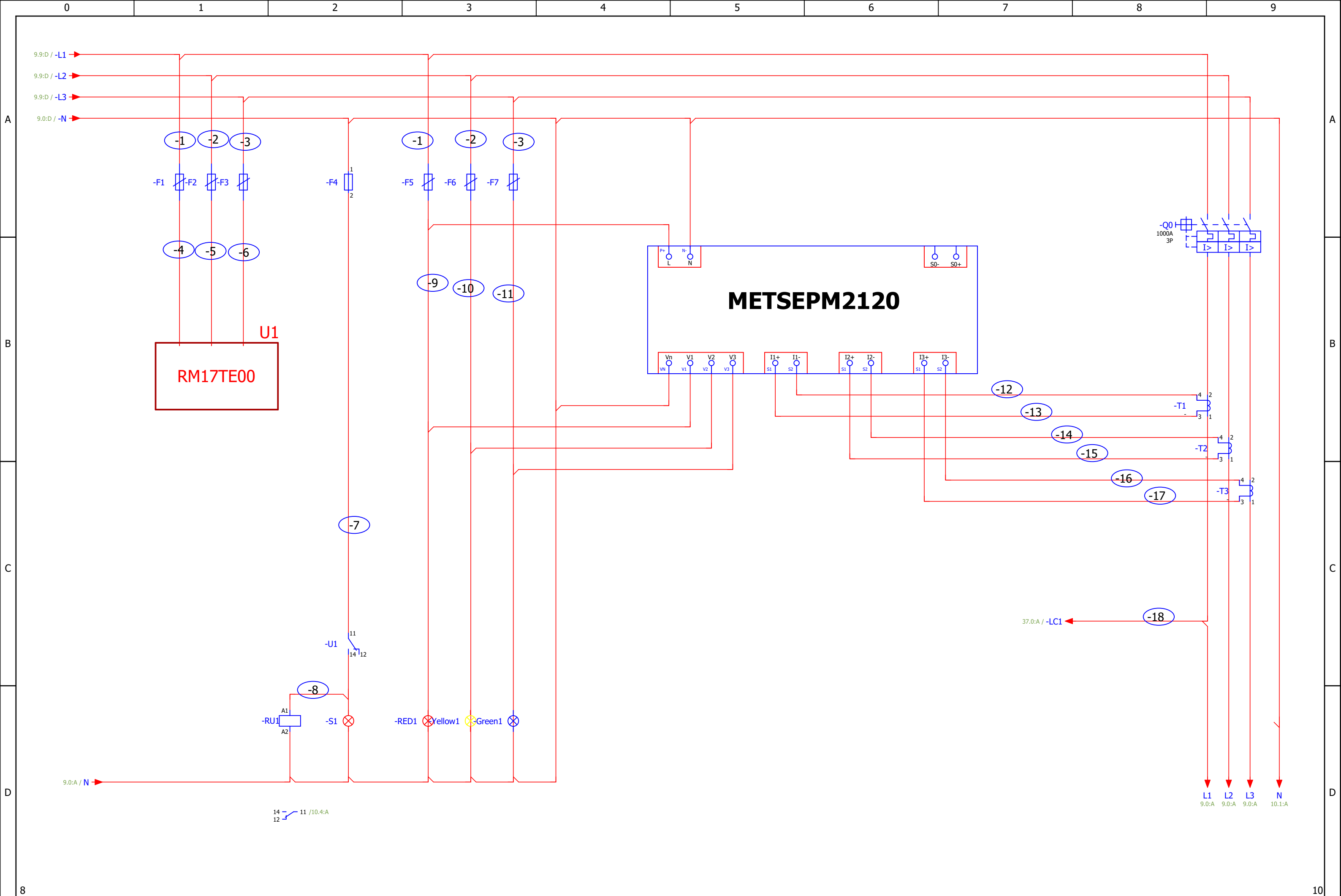
01-MCC

Drawing No: PO 261/26

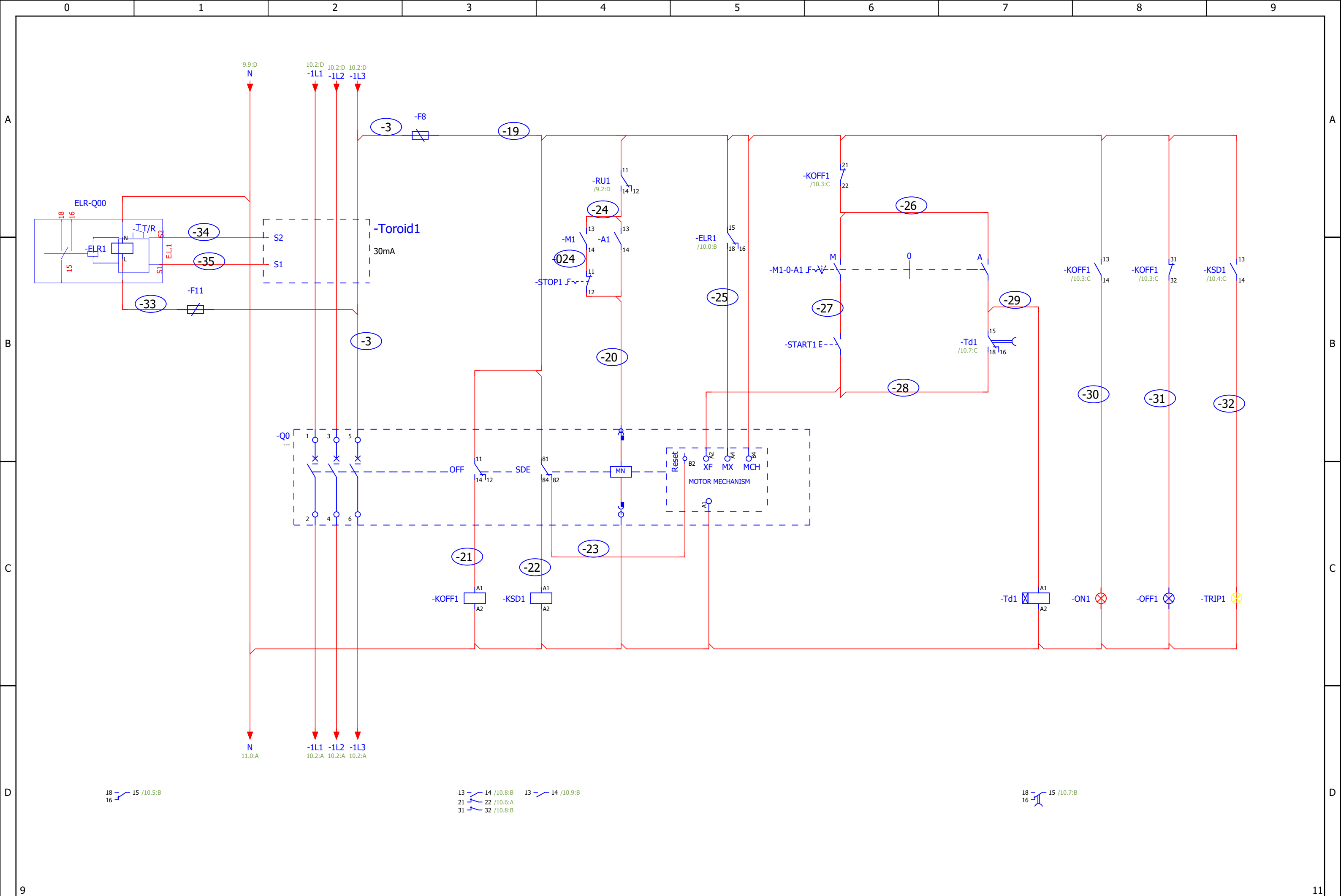
Page 4 Pages 40



Panel No.	P1	Outgoing	Outgoing	Outgoing	Outgoing	Outgoing	Outgoing	Outgoing	Outgoing	Outgoing	
Circuit Name	INCOMING	pump	Qeg1	Crane	SOFT STARTER	Lighting	SOFT STARTER	Qeg2	Spare	Spare	
Circuit No.	-	-	-	-	-	-	-	-	-	-	
Circuit Qty	1	1	1	1	4	1	4	1	1	1	
Phase Load	R S T	R S T	R S T	R S T	R S T	R S T	R S T	R S T	R S T	R S T	
Rating(KW/A)	1000A	40A	250A	25A	100A	32A	100A	400A	125A	63A	
C.B	Type / Frame	NS1000N MICRO -2.0	NSX100B TM40D	NSX250B TM250D	NSX100B TM25D	NSX100F MA	NSX100B TM32D	NSX100F MA	NSX400F Micrologic 2.3	NSX160B TM125D	NSX100B TM63D
	Reference	NS10N20F3PEFF	C10B3TM040	C25B3TM250	C10B3TM025	C10F3MA100	C10B3TM032	C10F3MA100	C40F32D400	C16B3TM125	C10B3TM063
	Rated Current (A)	1000A	40A	250A	25A	100A	32A	100A	400A	125A	63A
	No. of Poles	3P	3P	3P	3P	3P	3P	3P	3P	3P	3P
	Icu (KA)	50KA	25KA	25KA	25KA	36KA	25KA	36KA	36KA	25KA	25KA
	Thermal Current	0.4-1 In	0.7-1 In	0.7-1 In	0.7-1 In	Fixed	0.7-1 In	Fixed	0.4-1 In	0.7-1 In	0.7-1 In
	Magnetic Current	1.5-10 Ir	Fixed	5 -10 Ir	Fixed	6-14 In	Fixed	6-14 In	2-10 Ir	Fixed	Fixed
	Installation	Fixed	FIXED	FIXED	FIXED	FIXED	FIXED	FIXED	FIXED	FIXED	FIXED
Accessories	MCH+MN+OF+SD	-	MCH+MN+OF+SD	-	-	-	-	MCH+MN+OF+SD	-	-	
Contactor	Ref.	-	-	-	-	LC1D115M7	-	LC1D115M7	-	-	-
	Rating	-	-	-	-	115A	-	115A	-	-	-
Overload	Ref.	-	-	-	-	-	-	-	-	-	-
	Rating	-	-	-	-	-	-	-	-	-	-
Earth Leakage	Ref.	ELRA2M	-	-	-	-	-	-	-	-	-
	Rating	Toroid 210	-	-	-	-	-	-	-	-	-
Photocell	-	-	-	-	-	-	-	-	-	-	
Timer	-	-	-	-	-	-	-	-	-	-	
Under/Over Voltage	RM17TE00	-	-	-	-	-	-	-	-	-	
P.F	P.F Regulator	-	-	-	-	-	-	-	-	-	-
	KVAR	-	-	-	-	-	-	-	-	-	-
	Rupture Fuse	-	-	-	-	-	-	-	-	-	-
	Contactor	-	-	-	-	-	-	-	-	-	-
	Capacitor	-	-	-	-	-	-	-	-	-	-
Measuring Instruments	METSEPM2120	-	-	-	-	METSEDM3110	-	METSEDM3110	-	-	
Current Transformer	CT1000/5	-	-	-	-	CT125/5	-	CT125/5	-	-	
Cable Cross Section(mm)	-	-	-	-	-	-	-	-	-	-	



ISSUE 00	REVISION REV 00	DATE 09/02/2026	DESIGNED BY Mohamed Adel	CHECKED BY Essam Ragab		Control		01-MCC	
						PROJECT: El- Robikki	Drawing No: PO 261/26		Page 9
					CUSTOMER: Al Israa contractor				

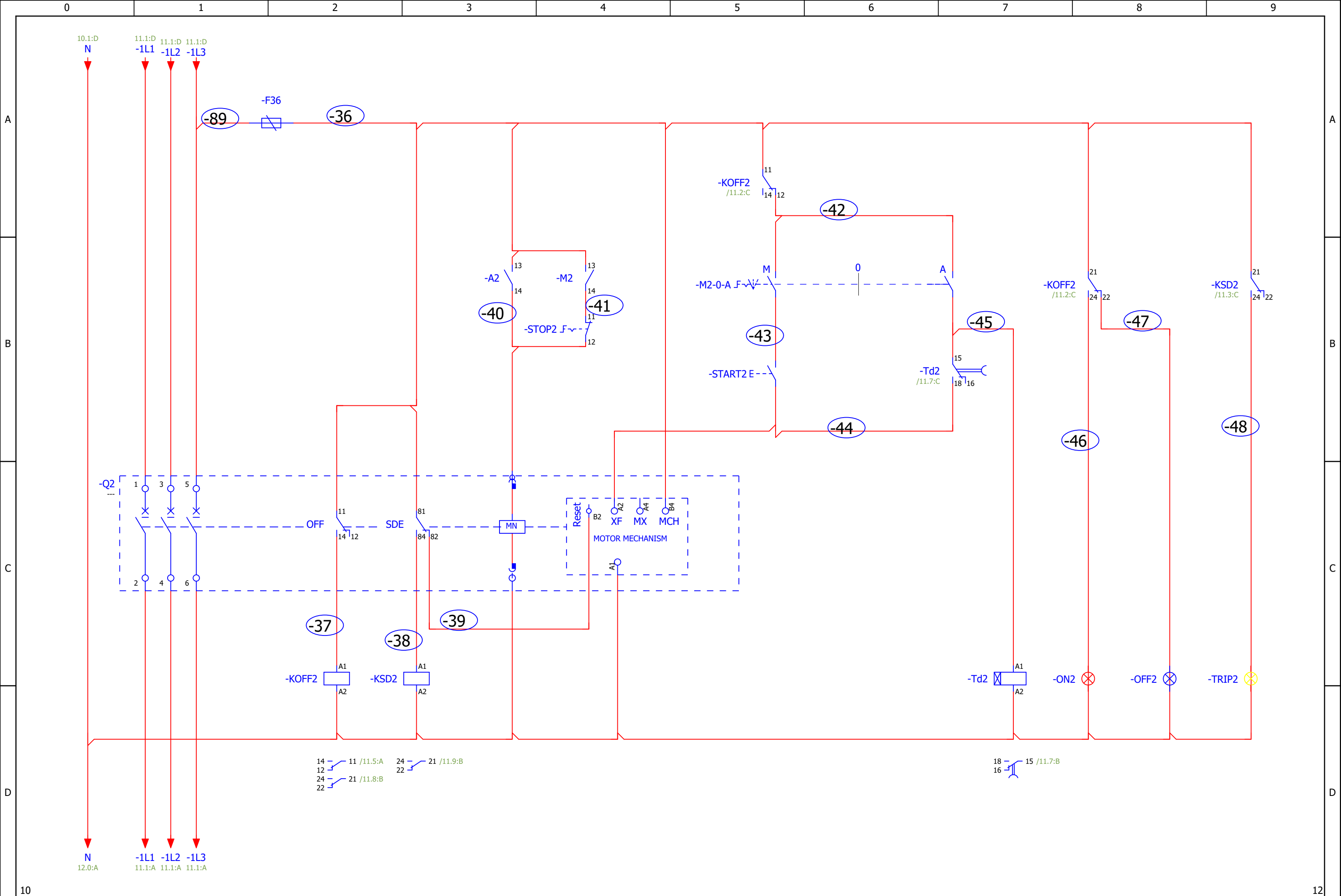


ISSUE	REVISION	DATE	DESIGNED BY	CHECKED BY
00	REV 00	09/02/2026	Mohamed Adel	Essam Ragab



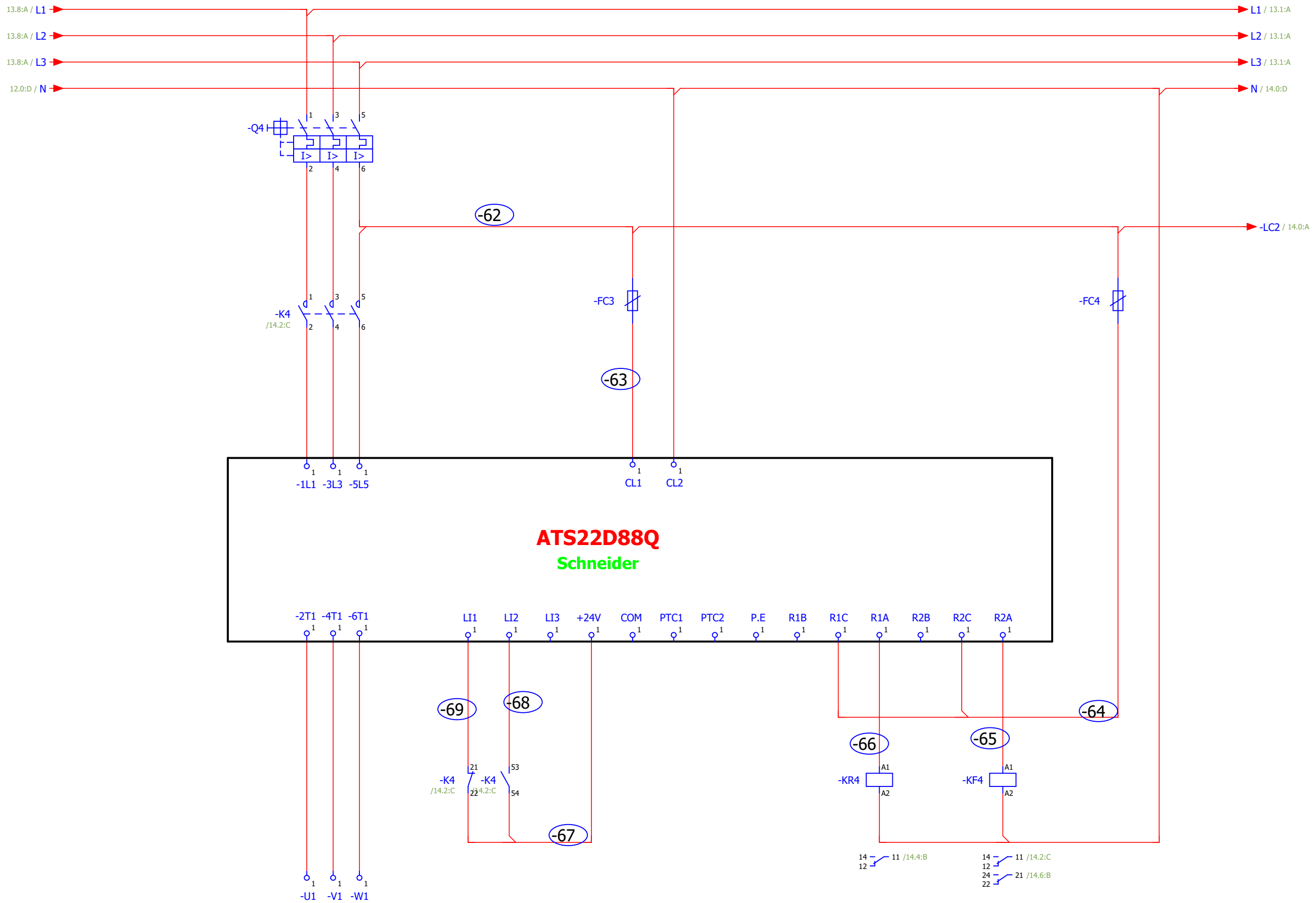
PROJECT:		El- Robikki
CUSTOMER:		Al Israa contractor

01-MCC	
Drawing No: PO 261/26	
Page	10
Pages	40



ISSUE 00	REVISION REV 00	DATE 09/02/2026	DESIGNED BY Mohamed Adel	CHECKED BY Essam Ragab		Control Q2		01-MCC	
						PROJECT: El- Robikki	Drawing No: PO 261/26		
					CUSTOMER: Al Israa contractor	Page 11			Pages 40

Soft Starter V4

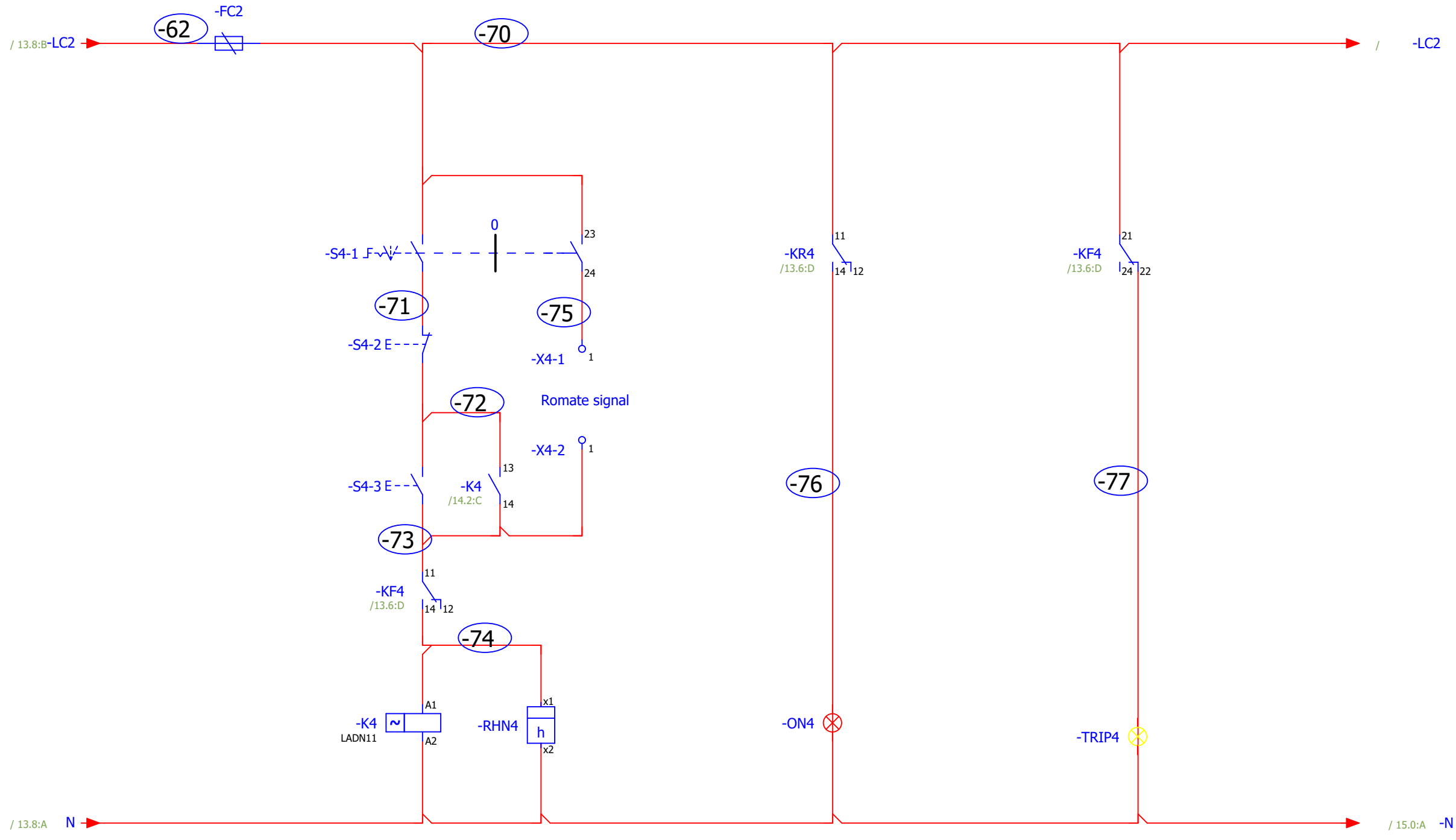


12

14

ISSUE 00	REVISION REV 00	DATE 09/02/2026	DESIGNED BY Mohamed Adel	CHECKED BY Essam Ragab		Soft Starter V4		01-MCC	
						PROJECT: El- Robikki	Drawing No: PO 261/26		Page 13
					CUSTOMER: Al Israa contractor				

Soft Starter V4

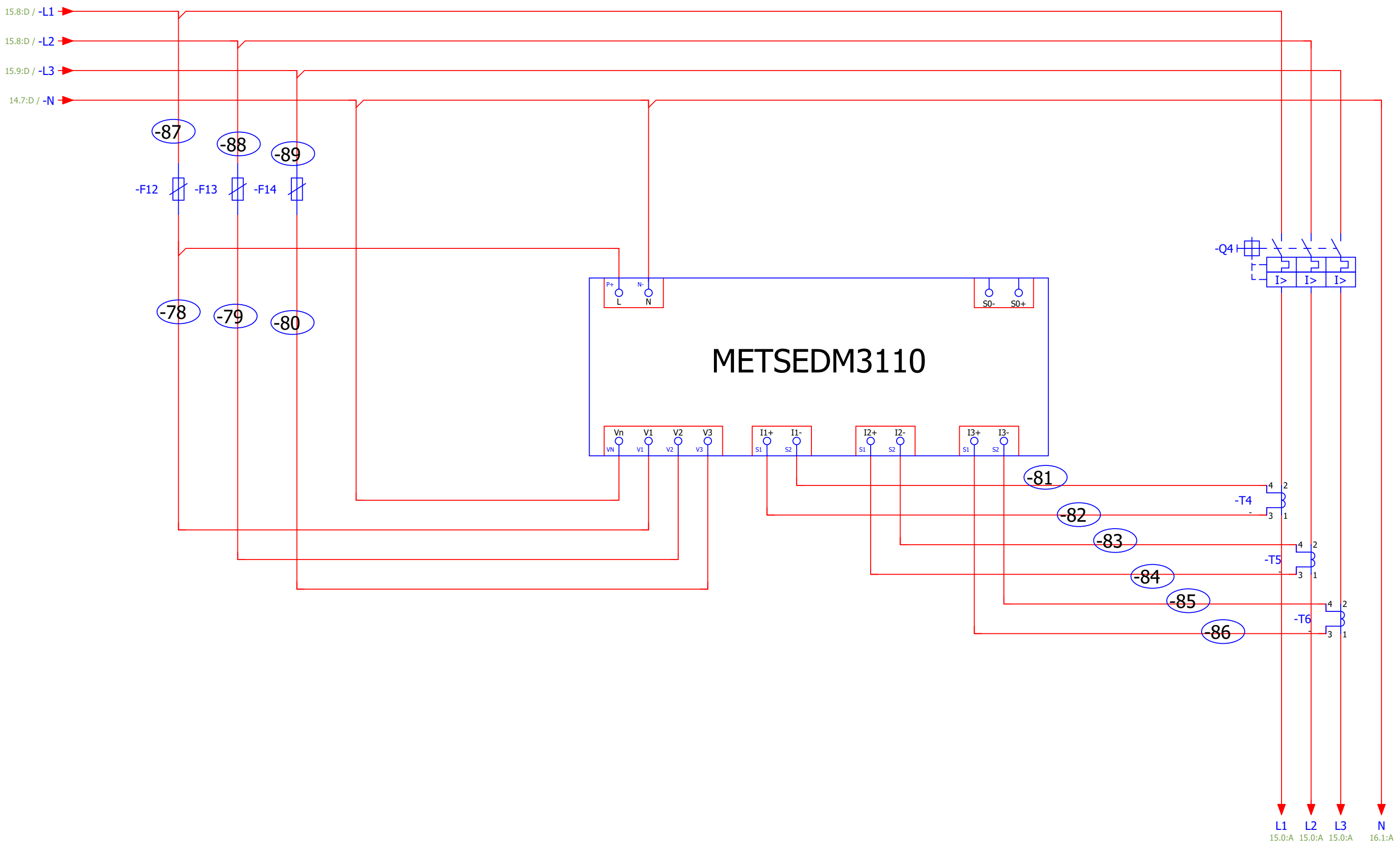


1 — 2 /13.2:B
 13 — 14 /14.3:B
 21 — 22 /13.3:D
 53 — 54 /13.3:D

ISSUE	REVISION	DATE	DESIGNED BY	CHECKED BY	Soft Starter V4		01-MCC	
00	REV 00	09/02/2026	Mohamed Adel	Essam Ragab	PROJECT:	El- Robikki	Drawing No: PO 261/26	
					CUSTOMER:	Al Israa contractor	Page	14 Pages

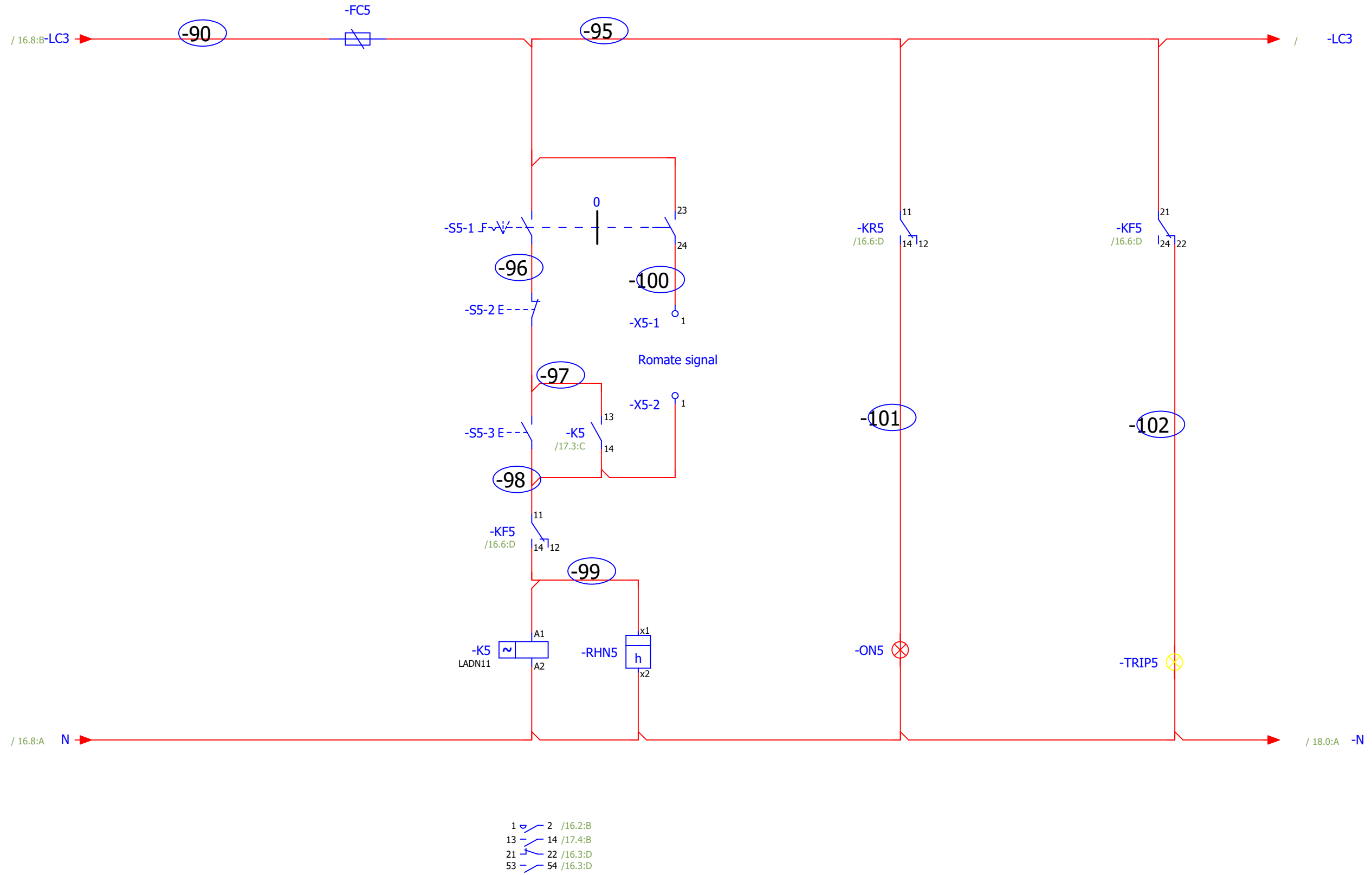


Soft Starter V4



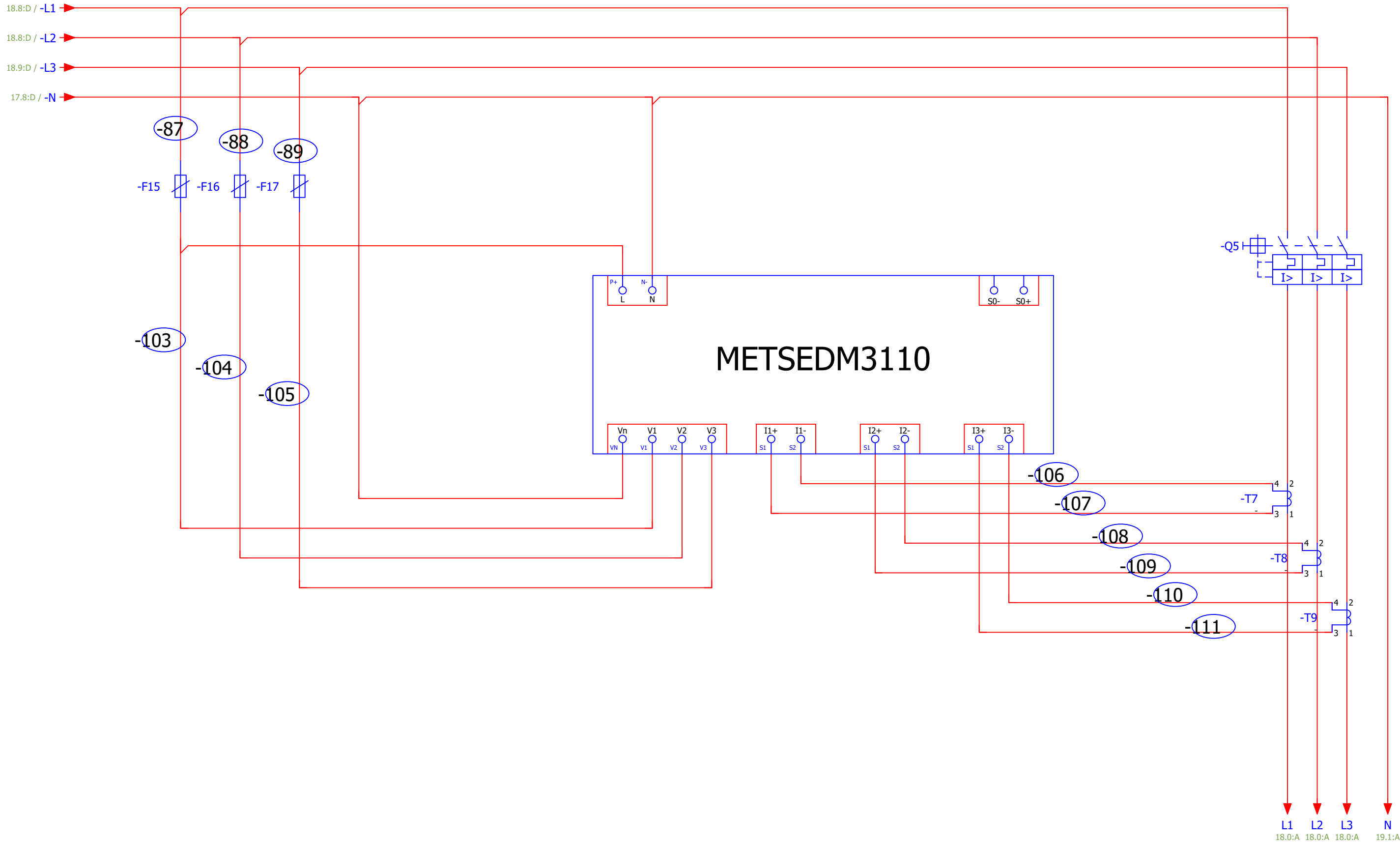
ISSUE 00	REVISION REV 00	DATE 09/02/2026	DESIGNED BY Mohamed Adel	CHECKED BY Essam Ragab	 POWER SERVICES PROJECTS	Soft Starter V4 PROJECT: El- Robikki CUSTOMER: Al Israa contractor	01-MCC Drawing No: PO 261/26 Page 15 Pages 40
-------------	--------------------	--------------------	-----------------------------	---------------------------	--	--	---

Soft Starter V5



ISSUE 00	REVISION REV 00	DATE 09/02/2026	DESIGNED BY Mohamed Adel	CHECKED BY Essam Ragab	 POWER SERVICES PROJECTS	Soft Starter V5		01-MCC			
						PROJECT:	El- Robikki		Drawing No: PO 261/26		
					CUSTOMER:	Al Israa contractor		Page	17	Pages	40

Soft Starter V5

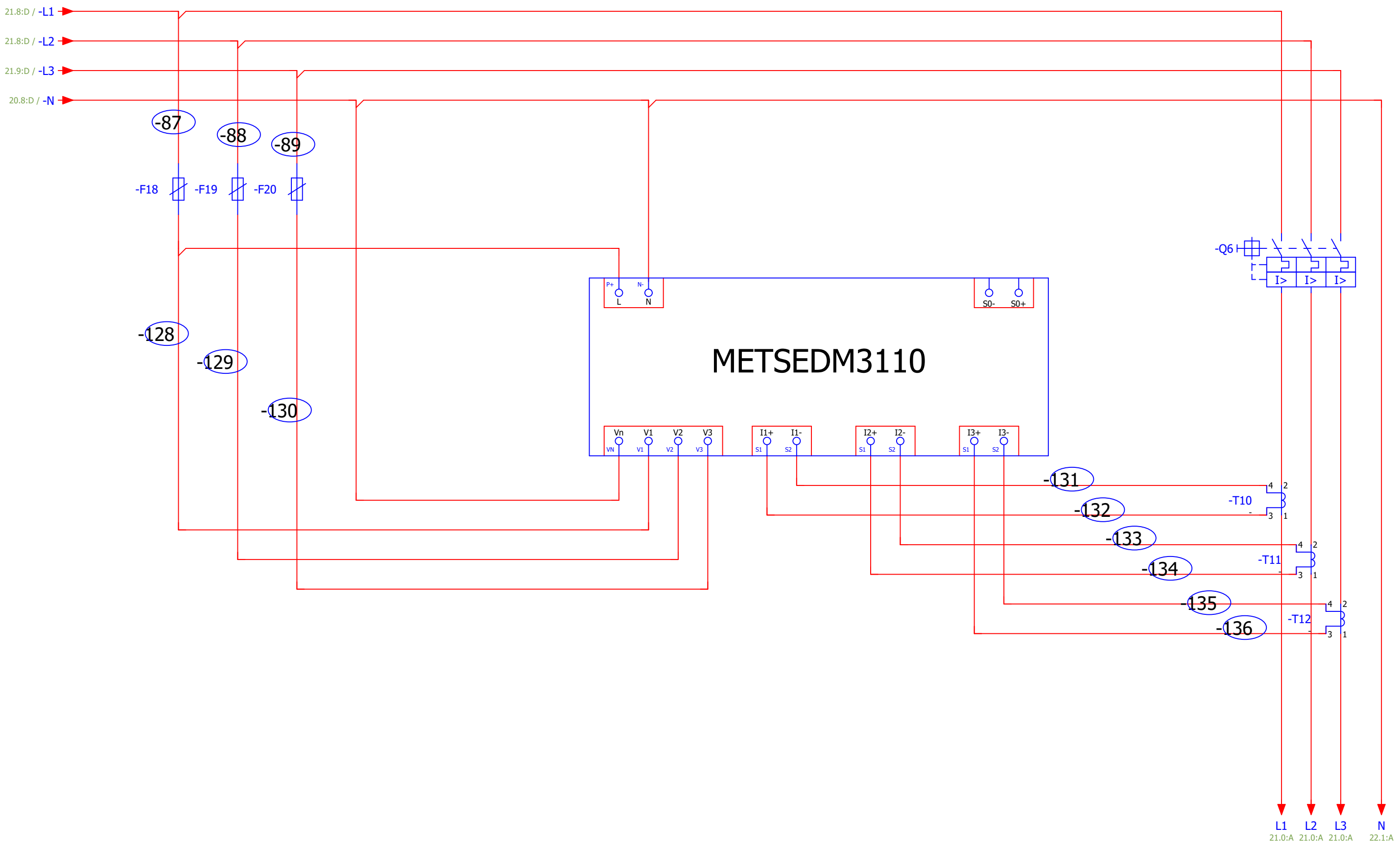


17

19

ISSUE 00	REVISION REV 00	DATE 09/02/2026	DESIGNED BY Mohamed Adel	CHECKED BY Essam Ragab	 POWER SERVICES PROJECTS	Soft Starter V5 PROJECT: El- Robikki CUSTOMER: Al Israa contractor	01-MCC Drawing No: PO 261/26 Page 18 Pages 40
-------------	--------------------	--------------------	-----------------------------	---------------------------	---	---	--

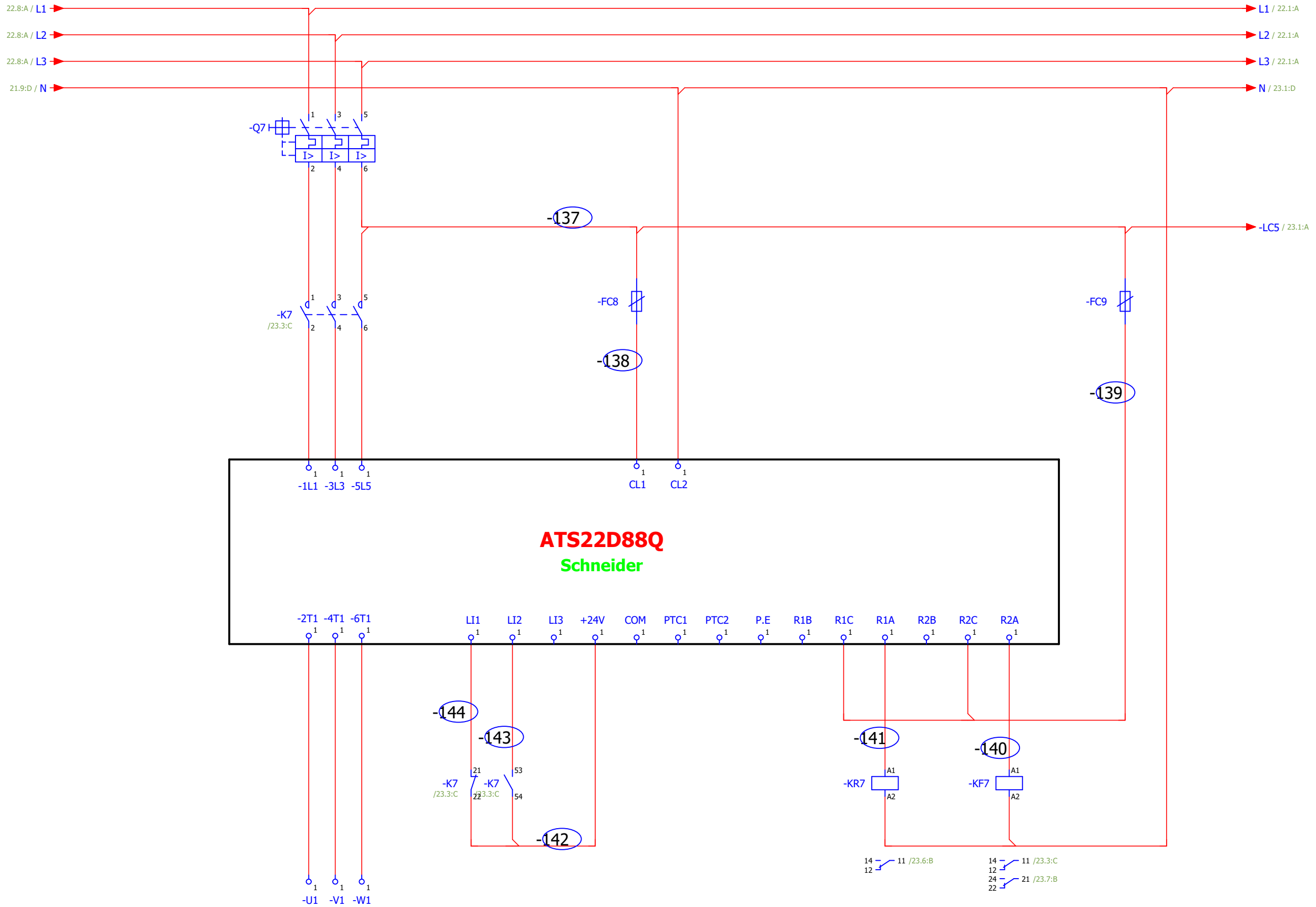
Soft Starter V6



20 22

ISSUE 00	REVISION REV 00	DATE 09/02/2026	DESIGNED BY Mohamed Adel	CHECKED BY Essam Ragab	 POWER SERVICES PROJECTS	Soft Starter V6 PROJECT: El- Robikki CUSTOMER: Al Israa contractor	01-MCC Drawing No: PO 261/26 Page 21 Pages 40
-------------	--------------------	--------------------	-----------------------------	---------------------------	-----------------------------	--	---

Soft Starter V7

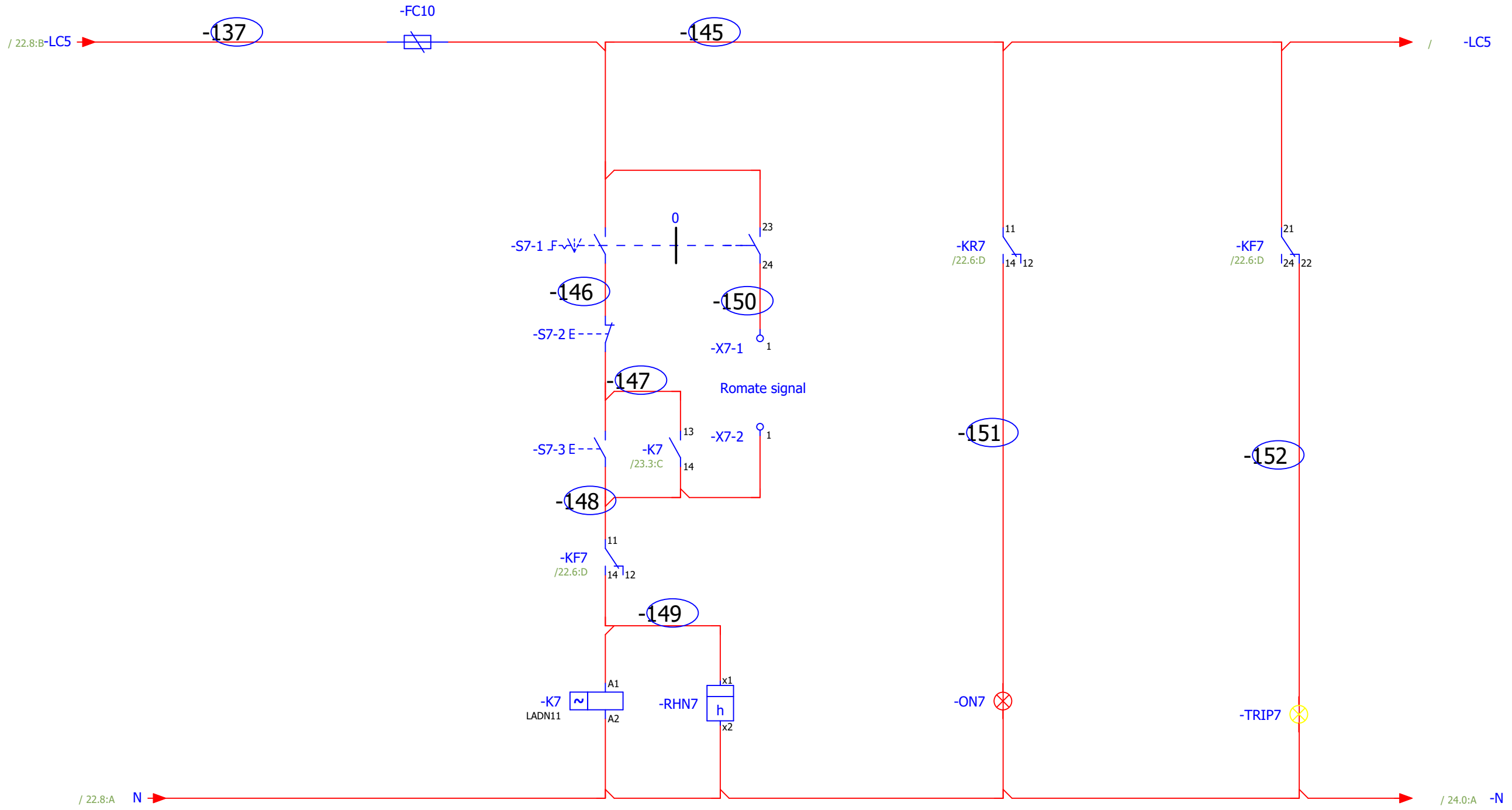


21

23

ISSUE 00	REVISION REV 00	DATE 09/02/2026	DESIGNED BY Mohamed Adel	CHECKED BY Essam Ragab		Soft Starter V7		01-MCC	
						PROJECT: El- Robikki		Drawing No: PO 261/26	Page 22
						CUSTOMER: Al Israa contractor			

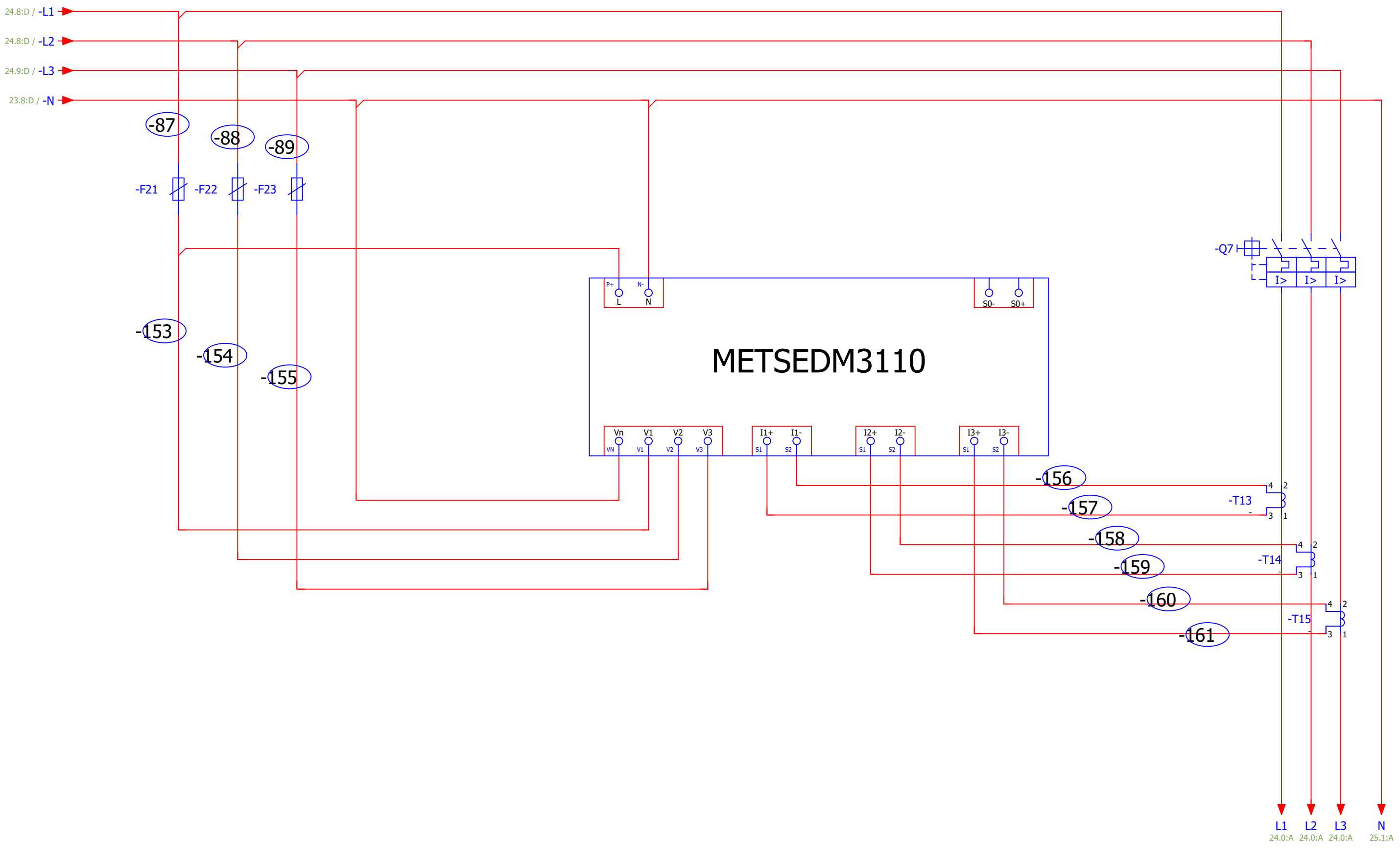
Soft Starter V7



1 2 /22.2:B
 13 14 /23.4:B
 21 22 /22.3:D
 53 54 /22.3:D

ISSUE	REVISION	DATE	DESIGNED BY	CHECKED BY	Soft Starter V7		01-MCC	
00	REV 00	09/02/2026	Mohamed Adel	Essam Ragab	PROJECT:	El- Robikki	Drawing No: PO 261/26	
					CUSTOMER:	Al Israa contractor	Page	23
							Pages	40

Soft Starter V7

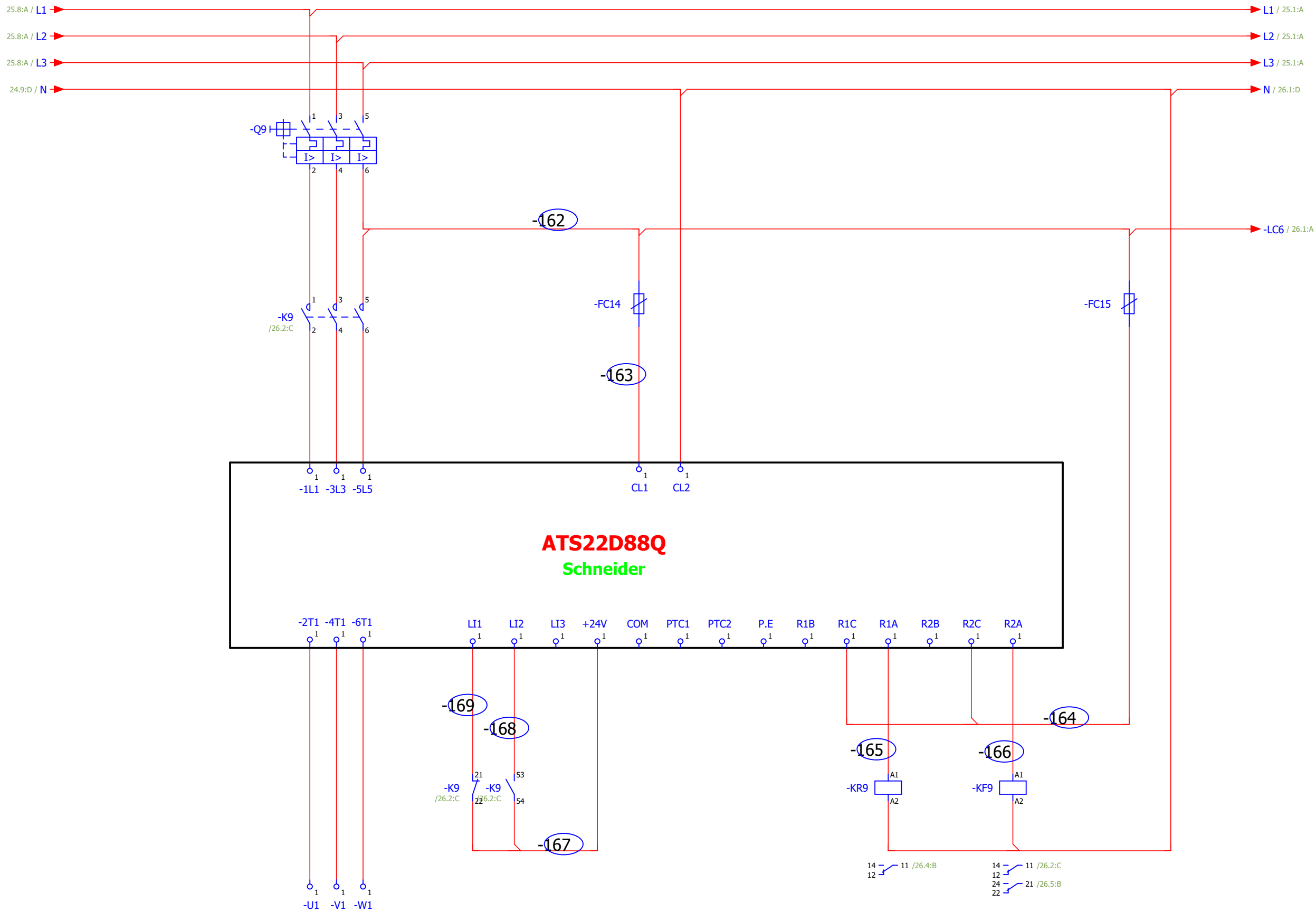


23

25

ISSUE 00	REVISION REV 00	DATE 09/02/2026	DESIGNED BY Mohamed Adel	CHECKED BY Essam Ragab	 POWER SERVICES PROJECTS	Soft Starter V7 PROJECT: El- Robikki CUSTOMER: Al Israa contractor	01-MCC Drawing No: PO 261/26 Page 24 Pages 40
-------------	--------------------	--------------------	-----------------------------	---------------------------	-----------------------------	--	---

Soft Starter V9

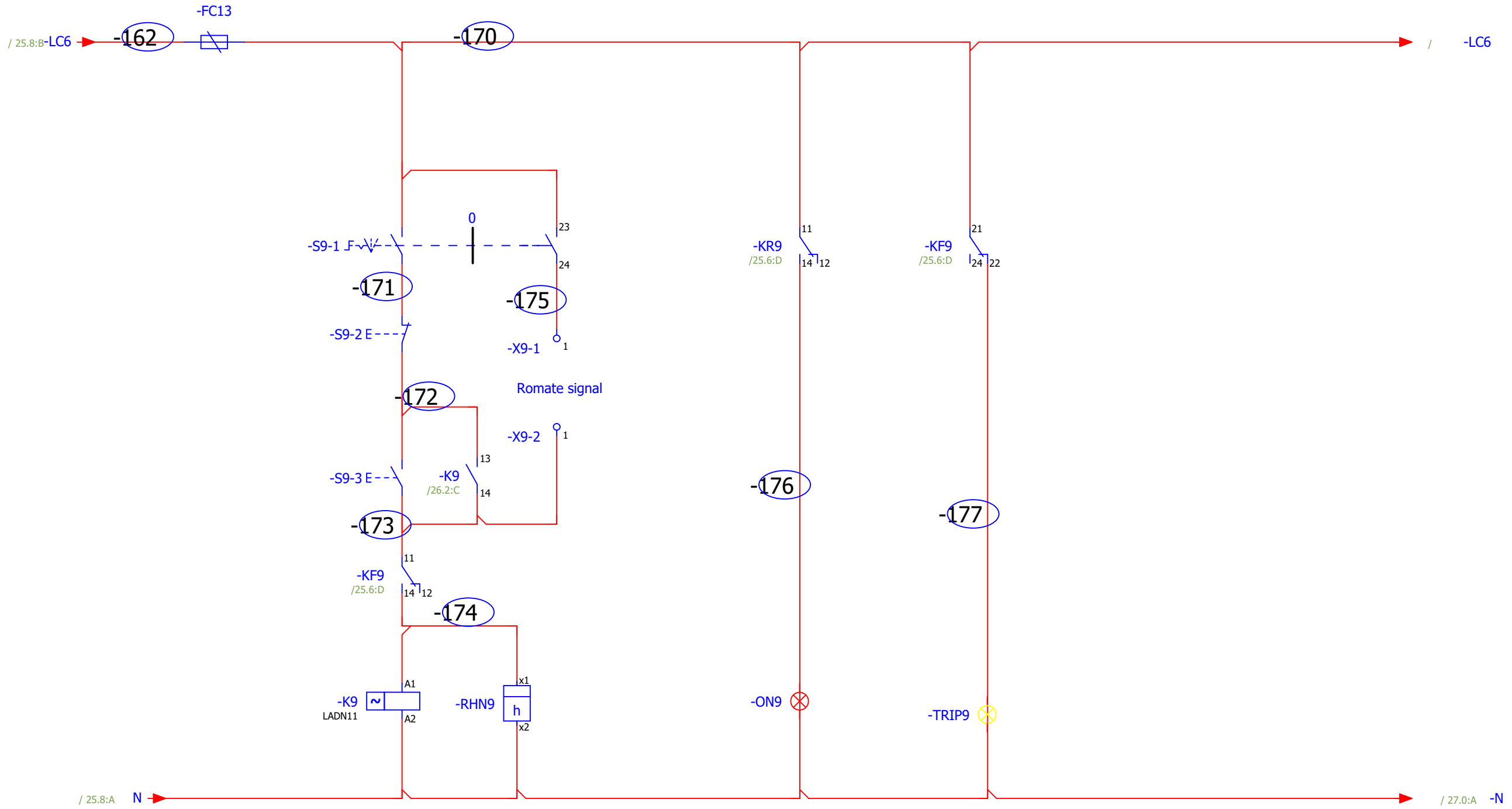


24

26

ISSUE 00	REVISION REV 00	DATE 09/02/2026	DESIGNED BY Mohamed Adel	CHECKED BY Essam Ragab		Soft Starter V9		01-MCC	
						PROJECT: El- Robikki		Drawing No: PO 261/26	
					CUSTOMER: Al Israa contractor			Page 25	Pages 40

Soft Starter V9



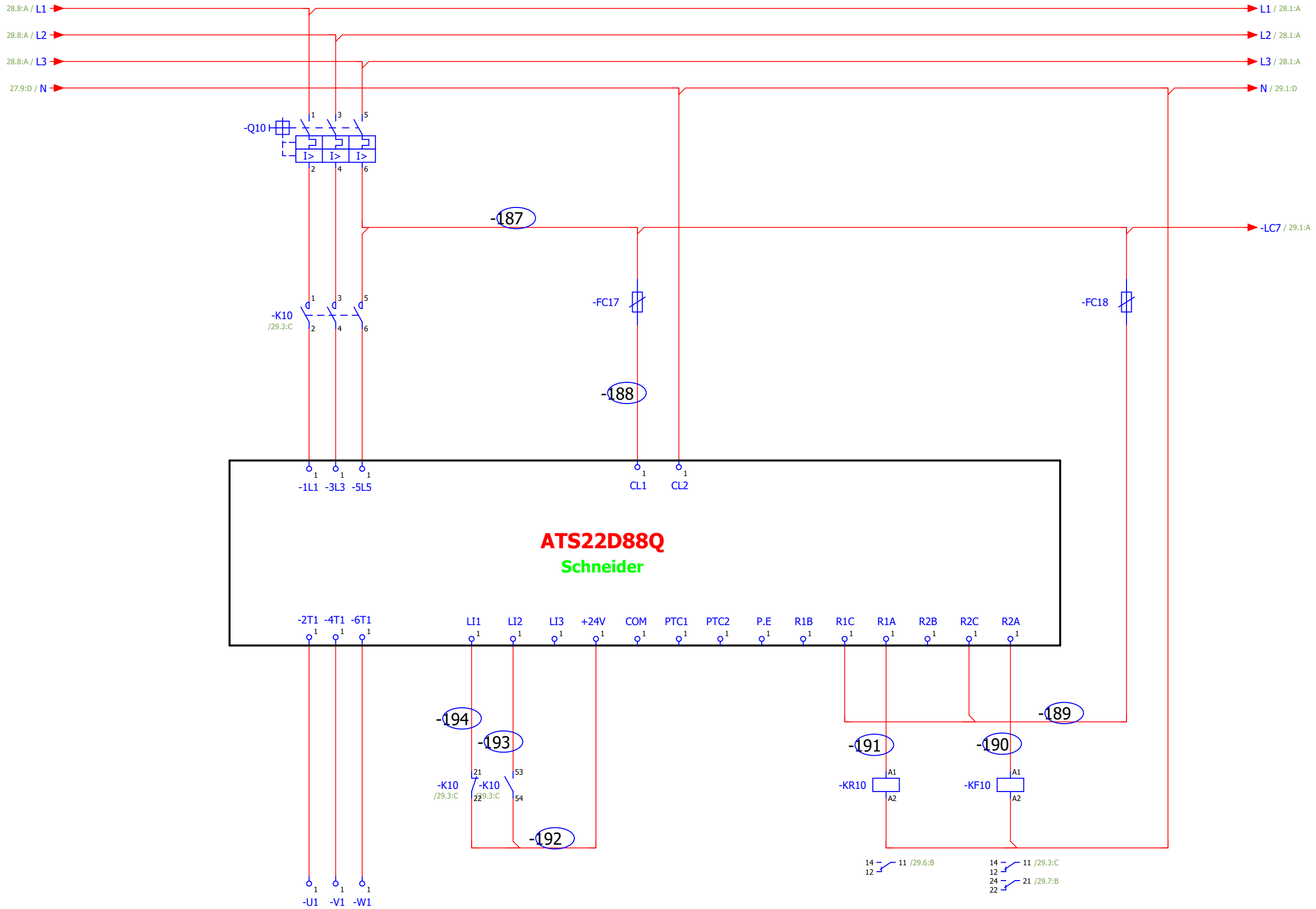
- 1 2 /25.2:B
- 13 14 /26.3:C
- 21 22 /25.3:D
- 53 54 /25.3:D

25

27

ISSUE	REVISION	DATE	DESIGNED BY	CHECKED BY	Soft Starter V9		01-MCC	
00	REV 00	09/02/2026	Mohamed Adel	Essam Ragab	PROJECT:	El- Robikki	Drawing No: PO 261/26	
					CUSTOMER:	Al Israa contractor	Page	26
							Pages	40

Soft Starter V10

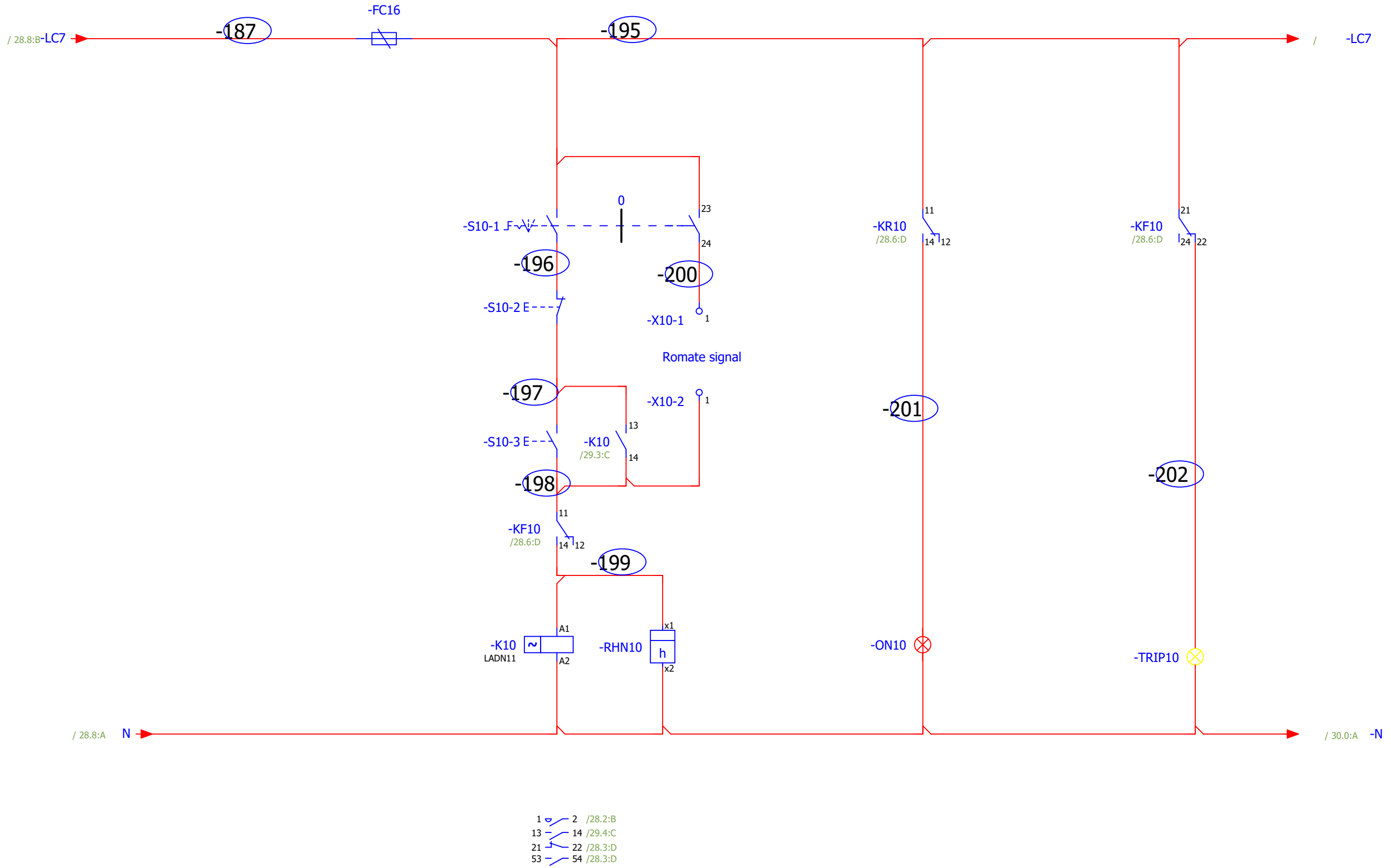


27

29

ISSUE	REVISION	DATE	DESIGNED BY	CHECKED BY	Soft Starter V10		01-MCC	
00	REV 00	09/02/2026	Mohamed Adel	Essam Ragab	PROJECT:	El- Robikki	Drawing No: PO 261/26	
					CUSTOMER:	Al Israa contractor	Page	28 / Pages 40

Soft Starter V10

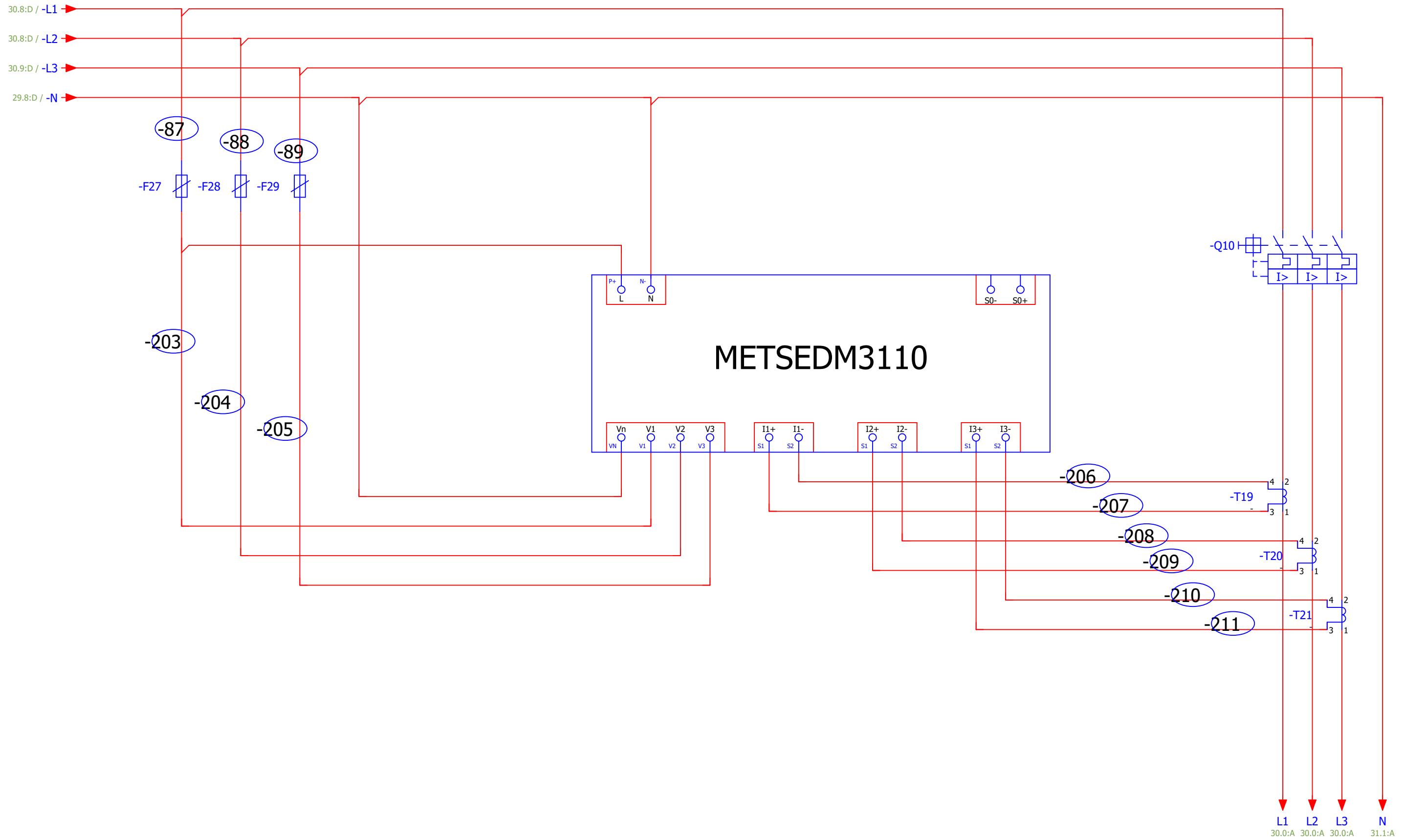


28

30

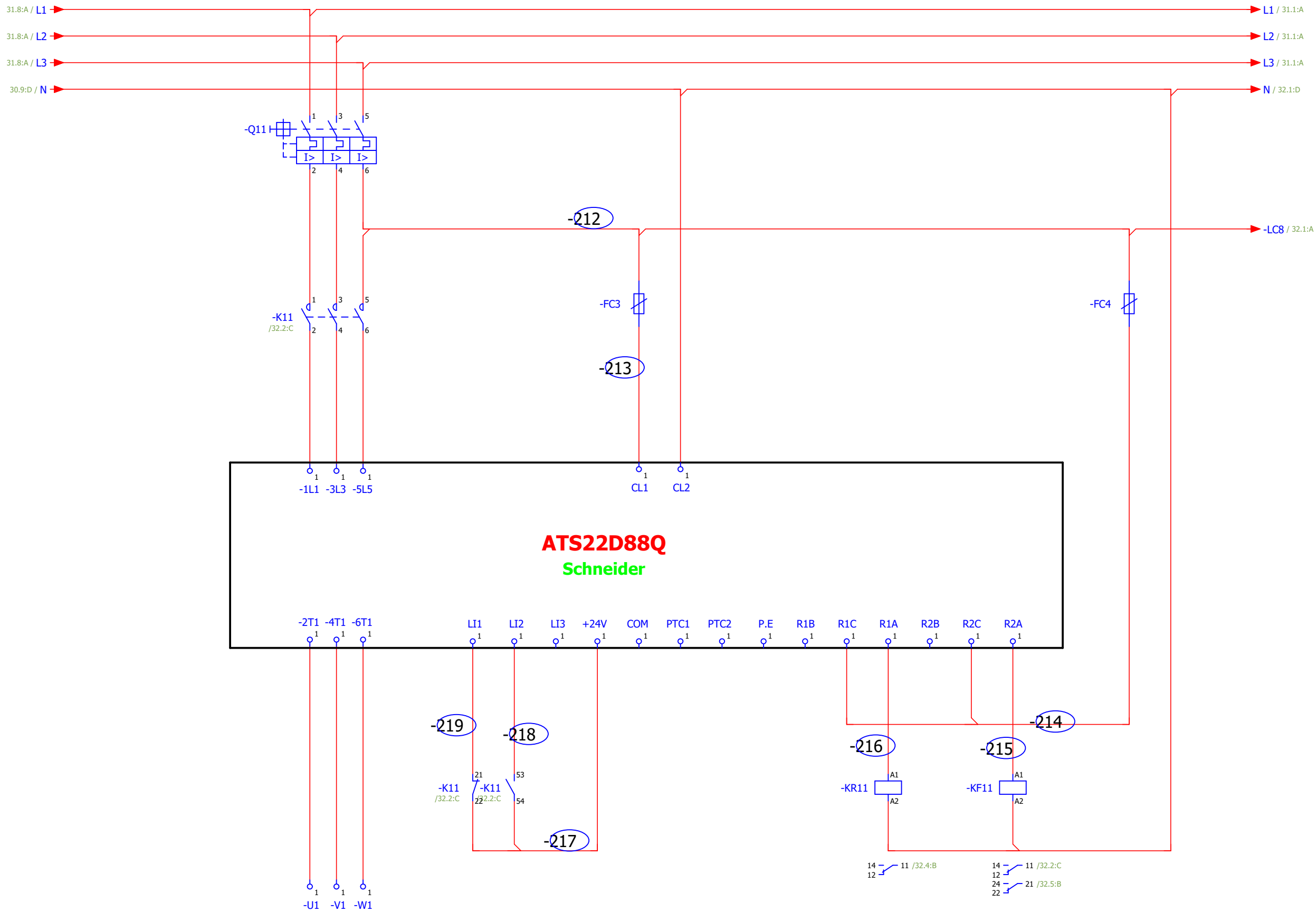
ISSUE 00	REVISION REV 00	DATE 09/02/2026	DESIGNED BY Mohamed Adel	CHECKED BY Essam Ragab		Soft Starter V10		01-MCC			
						PROJECT:	El- Robikki		Drawing No: PO 261/26		
						CUSTOMER:	Al Israa contractor		Page	29	
										Pages	40

Soft Starter V10



ISSUE 00	REVISION REV 00	DATE 09/02/2026	DESIGNED BY Mohamed Adel	CHECKED BY Essam Ragab		Soft Starter V10		01-MCC	
						PROJECT: El- Robikki	Drawing No: PO 261/26		
					CUSTOMER: Al Israa contractor	Page 30			Pages 40

Soft Starter V11

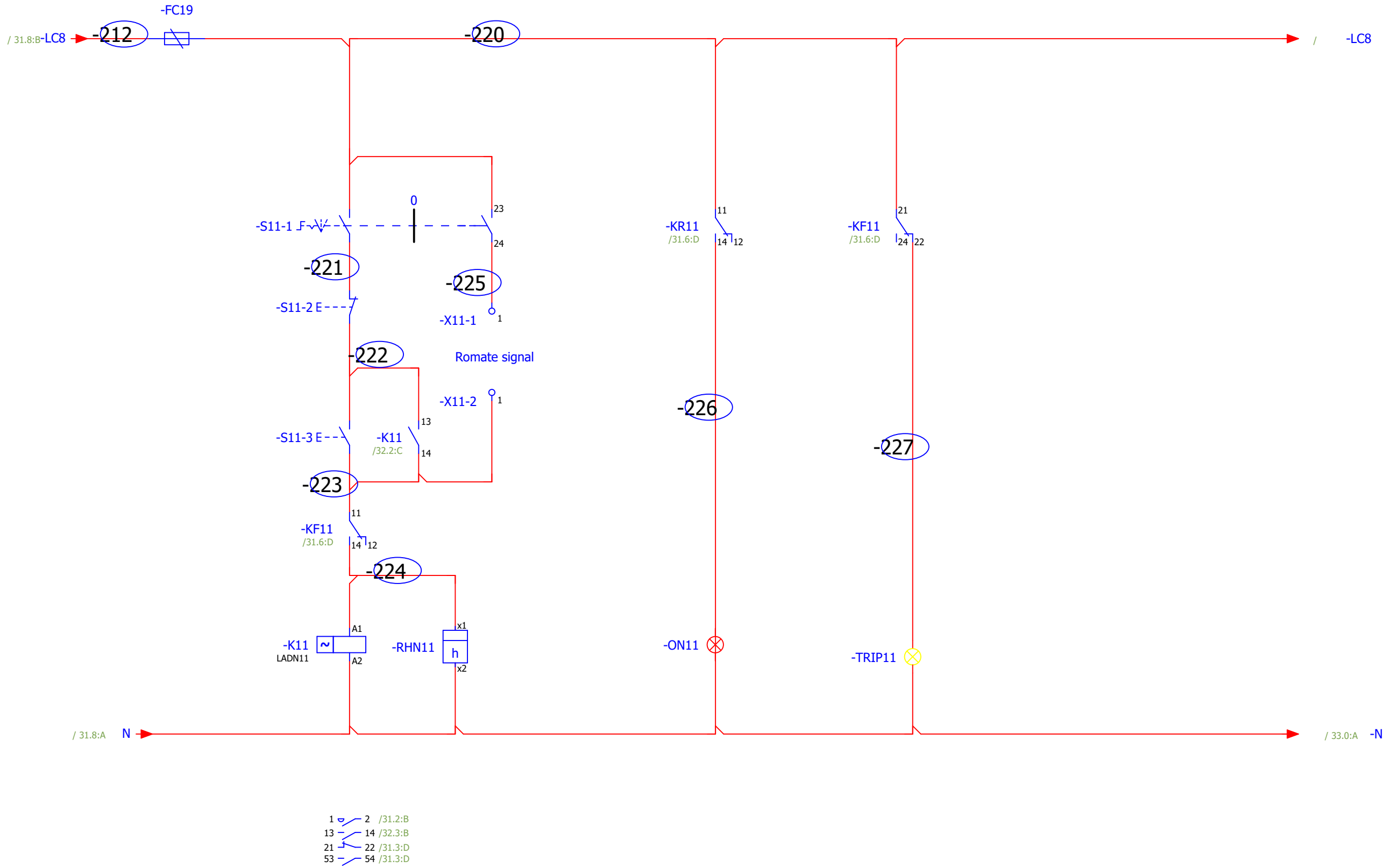


30

32

ISSUE	REVISION	DATE	DESIGNED BY	CHECKED BY	Soft Starter V11		01-MCC	
00	REV 00	09/02/2026	Mohamed Adel	Essam Ragab	PROJECT:	El- Robikki	Drawing No: PO 261/26	
					CUSTOMER:	Al Israa contractor	Page	31
							Pages	40

Soft Starter V11

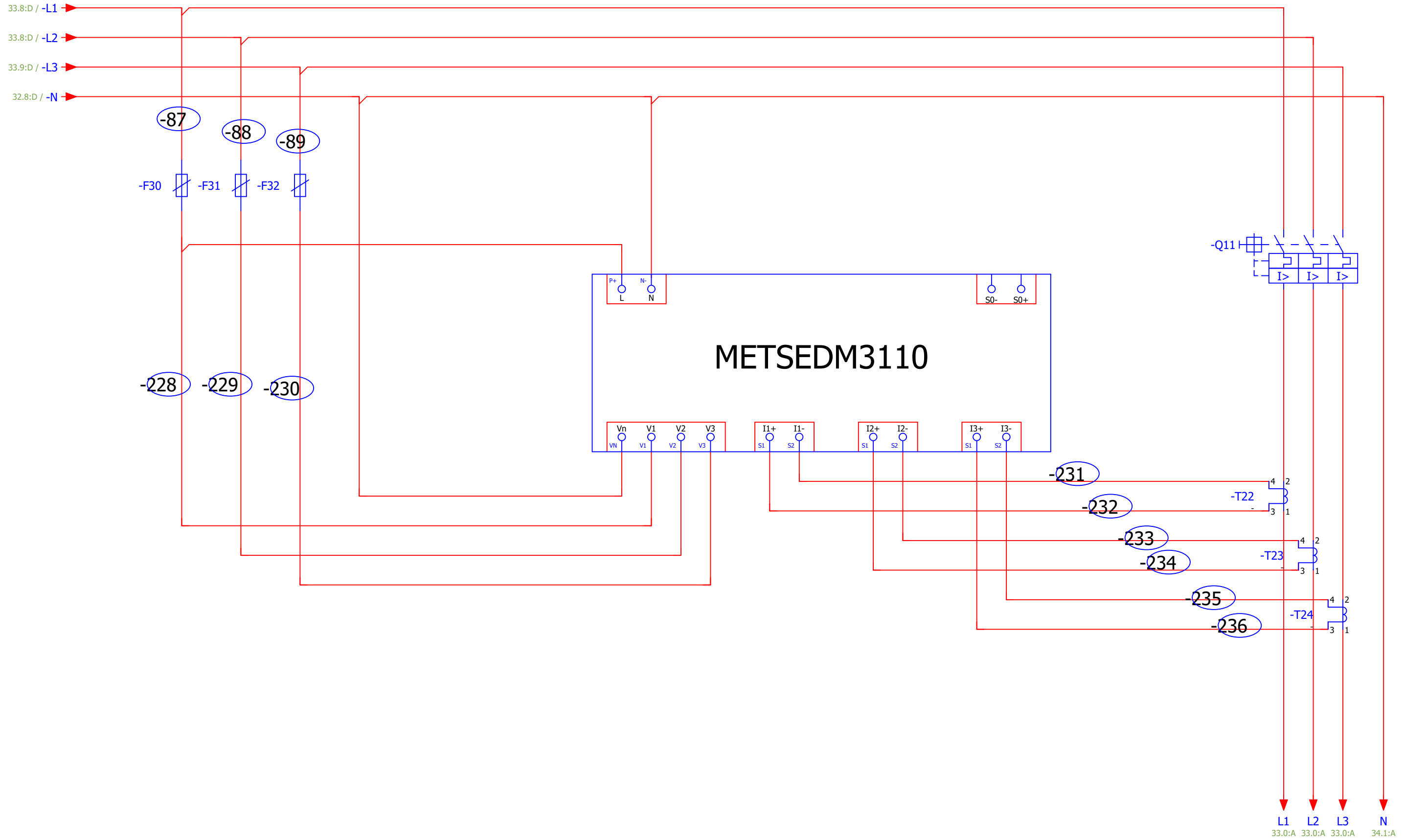


31

33

ISSUE	REVISION	DATE	DESIGNED BY	CHECKED BY	Soft Starter V11		01-MCC	
00	REV 00	09/02/2026	Mohamed Adel	Essam Ragab	PROJECT:	El- Robikki	Drawing No: PO 261/26	
					CUSTOMER:	Al Israa contractor	Page	32
							Pages	40

Soft Starter V11

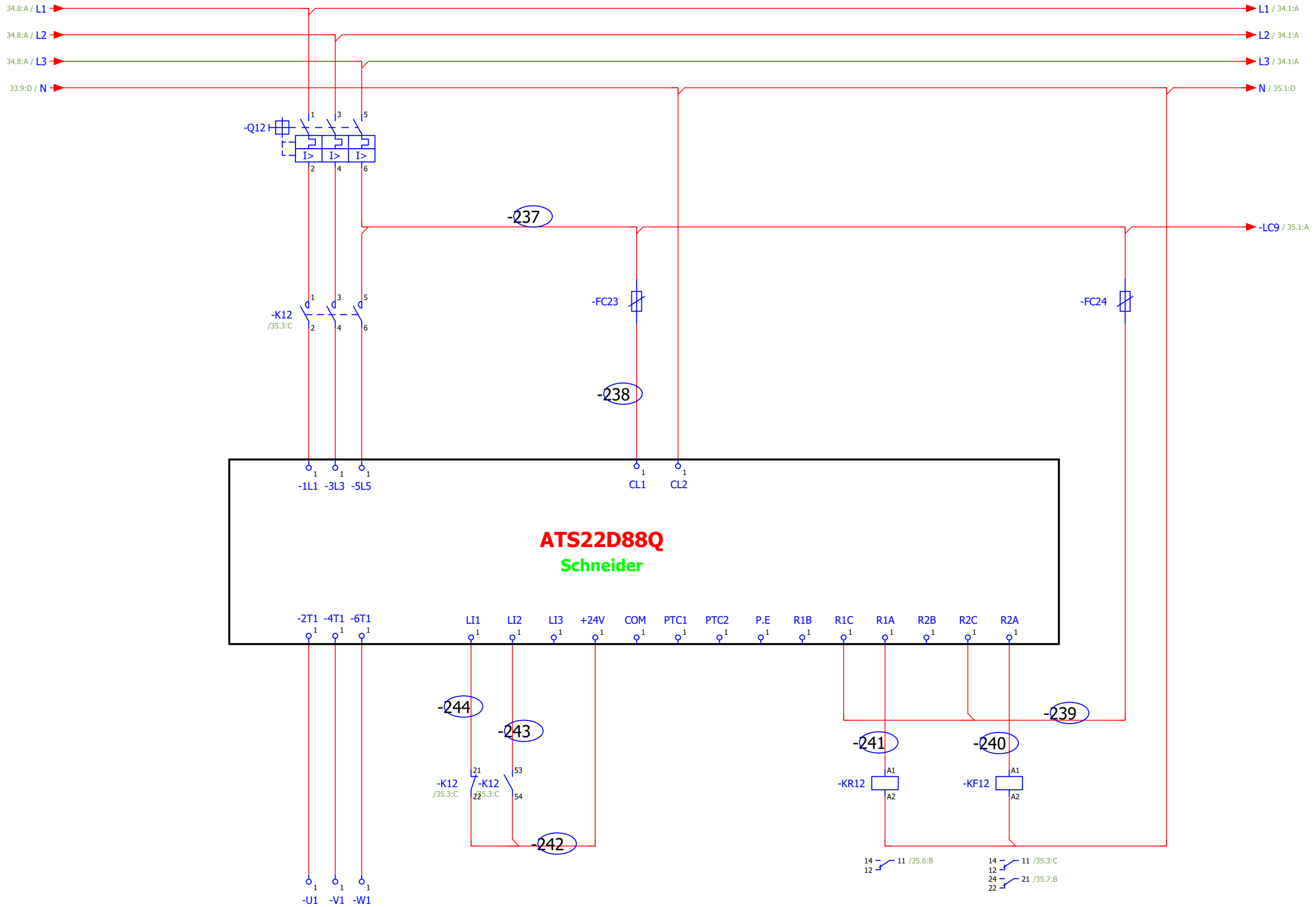


32

34

ISSUE 00	REVISION REV 00	DATE 09/02/2026	DESIGNED BY Mohamed Adel	CHECKED BY Essam Ragab	Soft Starter V11		01-MCC	
					PROJECT:	El- Robikki		
					CUSTOMER:	Al Israa contractor		
					Page	33	Pages	40

Soft Starter V12

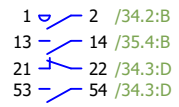
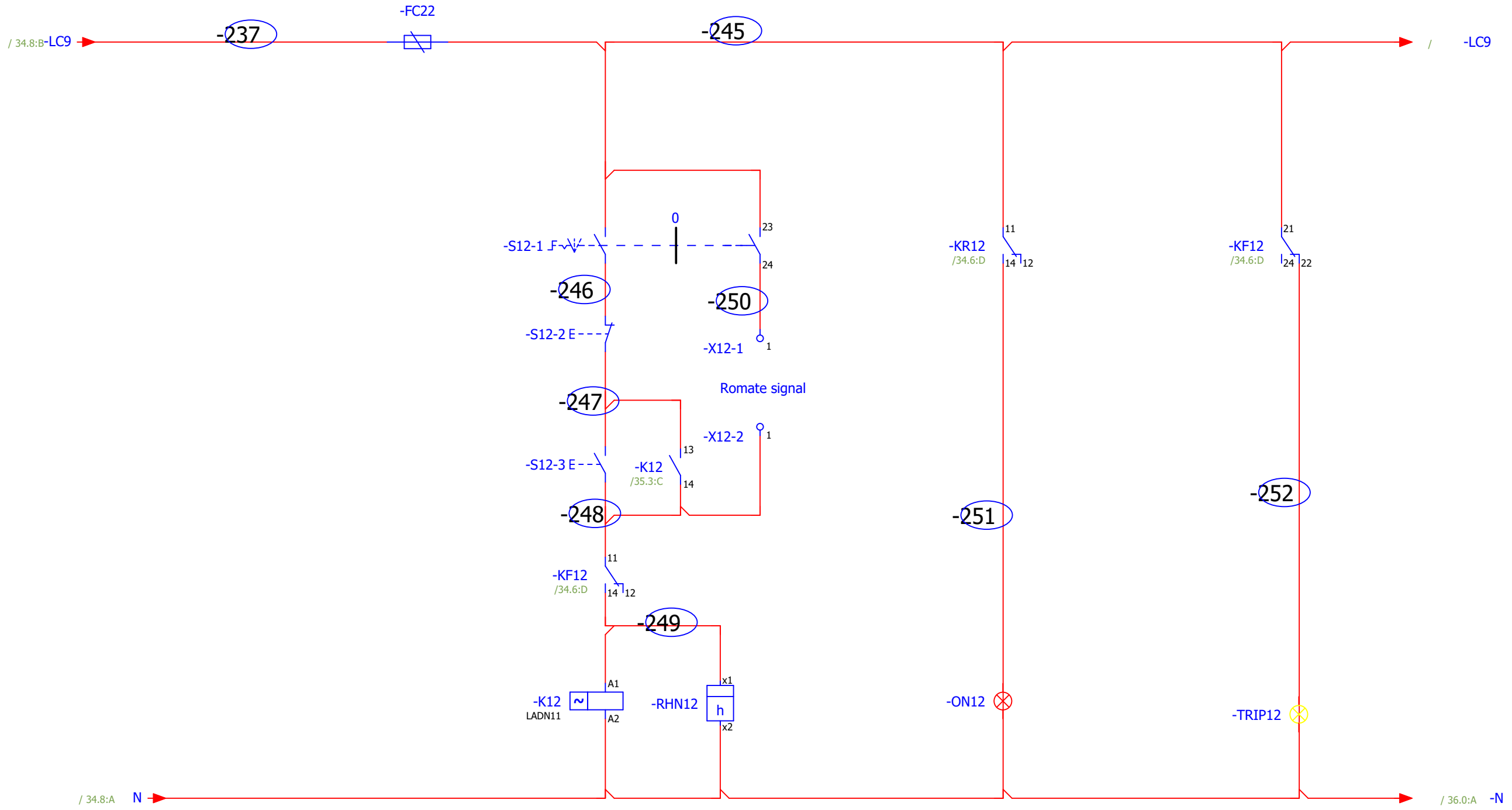


33

35

ISSUE 00	REVISION REV 00	DATE 09/02/2026	DESIGNED BY Mohamed Adel	CHECKED BY Essam Ragab		Soft Starter V12		01-MCC	
						PROJECT: El- Robikki		Drawing No: PO 261/26	
					CUSTOMER: Al Israa contractor		Page 34	Pages 40	

Soft Starter V12

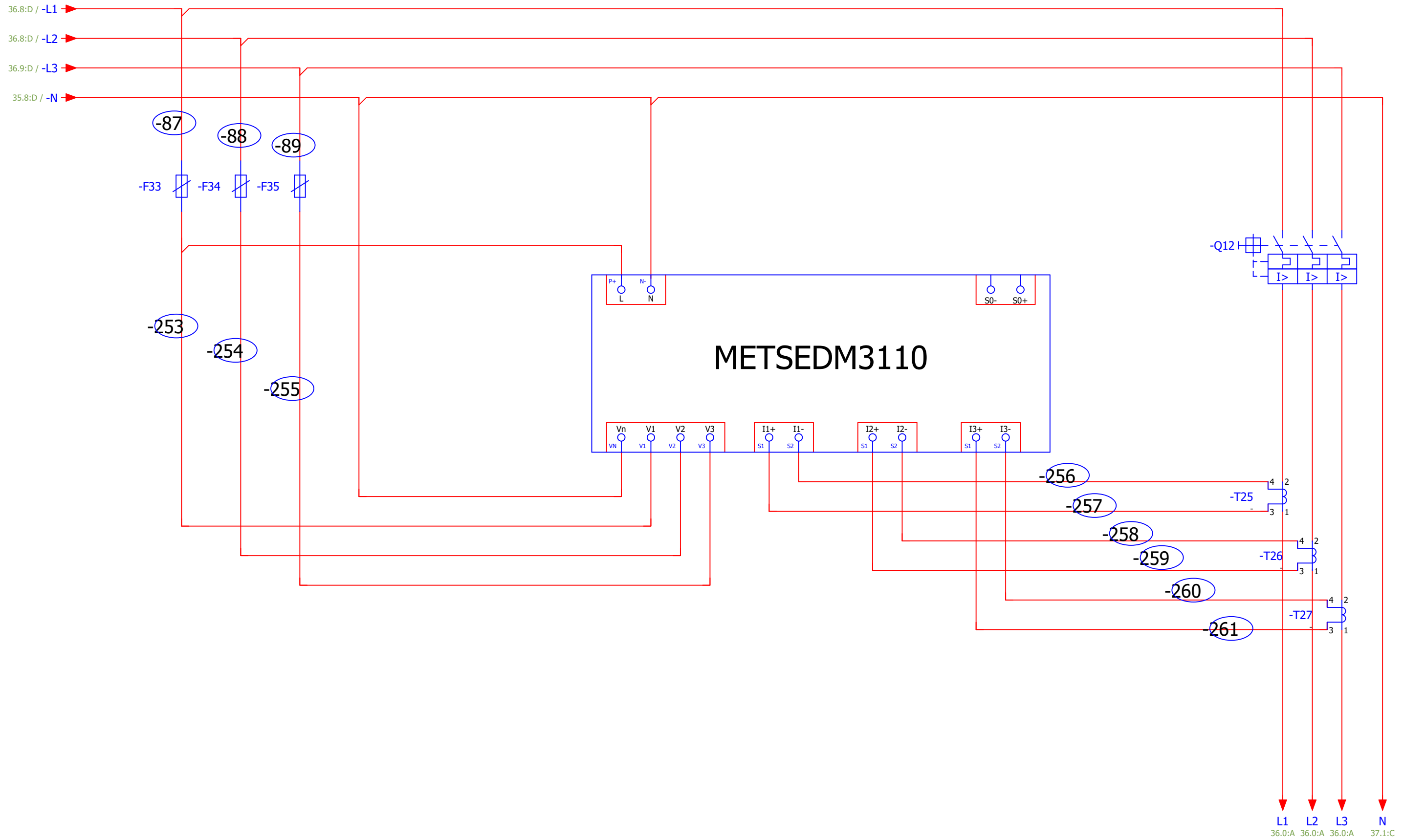


34

36

ISSUE	REVISION	DATE	DESIGNED BY	CHECKED BY	Soft Starter V12		01-MCC	
00	REV 00	09/02/2026	Mohamed Adel	Essam Ragab	PROJECT:	El- Robikki	Drawing No: PO 261/26	
					CUSTOMER:	Al Israa contractor	Page	35
							Pages	40

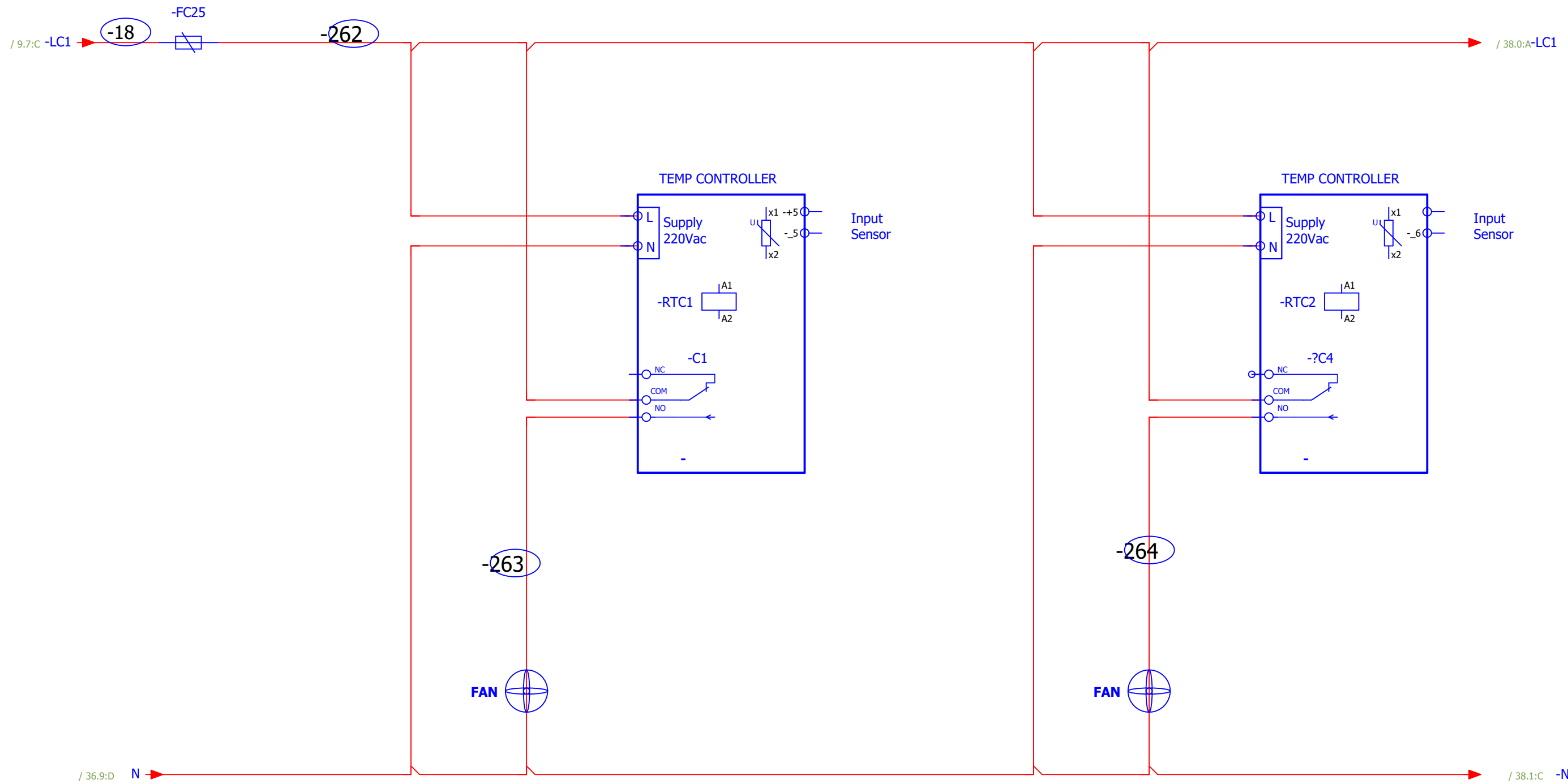
Soft Starter V12



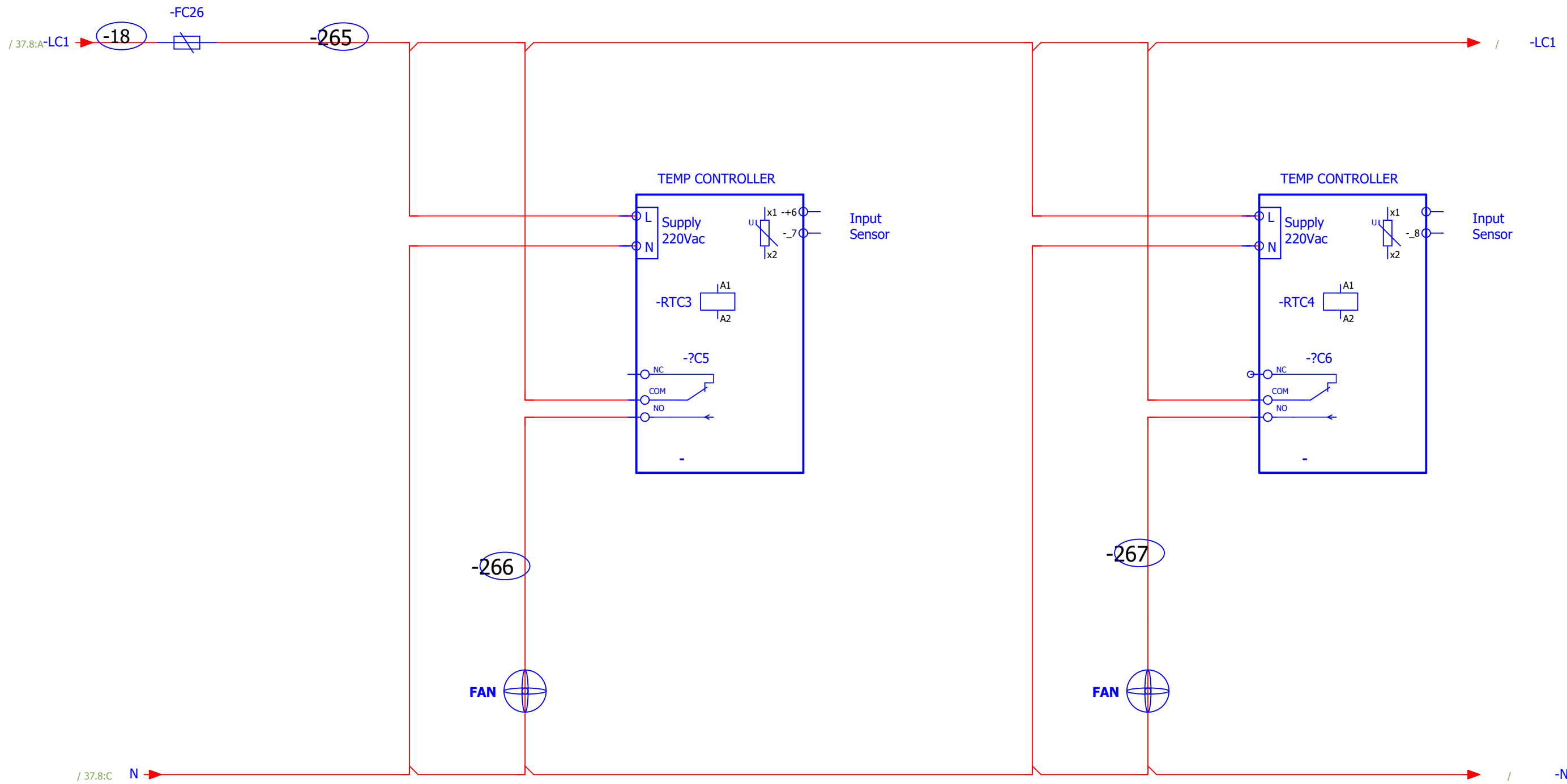
35

37

ISSUE 00	REVISION REV 00	DATE 09/02/2026	DESIGNED BY Mohamed Adel	CHECKED BY Essam Ragab		Soft Starter V12		01-MCC	
						PROJECT: El- Robikki	Drawing No: PO 261/26		
					CUSTOMER: Al Israa contractor	Page 36 Pages 40			



ISSUE 00	REVISION REV 00	DATE 09/02/2026	DESIGNED BY Mohamed Adel	CHECKED BY Essam Ragab		Thermostat		01-MCC	
						PROJECT: El- Robikki	Drawing No: PO 261/26		
					CUSTOMER: Al Israa contractor	Page 37 Pages 40			



37

ISSUE	REVISION	DATE	DESIGNED BY	CHECKED BY	Thermostat		01-MCC	
00	REV 00	09/02/2026	Mohamed Adel		Essam Ragab	PROJECT:	El- Robikki	Drawing No: PO 261/26
					CUSTOMER:	Al Israa contractor	Page 38	Pages 40



POWER SERVICES PROJECTS